



B15N

NXE SERIES FORKLIFTS

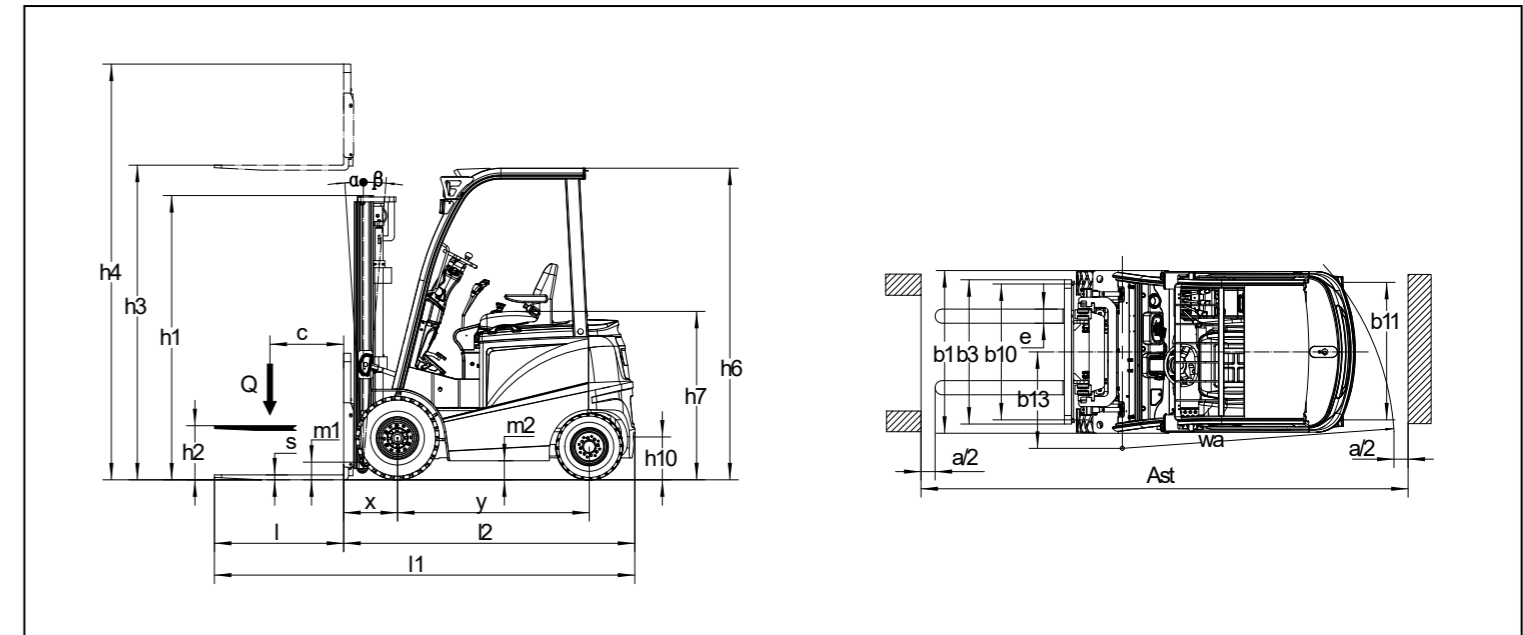
Electric 1.5 ton (3000lb) capacity
4 wheel



Technical Data according to VDI 2198

Characteristics	1.1	Manufacturer		DOOSAN	
	1.2	Manufacturer's type designation		B15N	
	1.3	Drive : electric (battery or mains) ,diesel, petrol ,fuel gas, manual		Electric	
	1.4	Operator type : hand, pedestrian, standing, seated, order-picker		Seated	
	1.5	Load capacity/rated load	kg(lb)	Q	1500(3000)
	1.6	Load centre distance	mm(in)	c	500(24)
	1.8	Load distance, centre of drive axle to fork	mm(in)	x	381(15.0)
	1.9	Wheelbase	mm(in)	y	1360(53.5)
	Weights	2.1	Service weight (with min. weight of battery)	kg(lb)	3120(6864)
2.2		Axle loading, loaded front/rear	kg(lb)	4180/540 (9196/1188)	
2.3		Axle loading, unloaded front/rear	kg(lb)	1530/1590 (3366/3498)	
Wheels & Tyres	3.1	Tires: pneumatic (P), superelastic (SE), cushion (C)		SE	
	3.2	Tire size, front		6.50 - 10	
	3.3	Tire size, rear		5.00 - 8	
	3.5	Wheels, number front/rear (x=driven wheels)		2x/2	
	3.6	Tread width, front	mm(in)	b10	970(38.2)
	3.7	Tread width, rear	mm(in)	b11	920(36.2)
	Basic dimensions	4.1	Tilt of mast/fork carriage forward (α)/backward(β)	deg	α / β
4.2		Height, mast lowered	mm(in)	h1	1997(78.6)
4.3		Free lift	mm(in)	h2	125(4.9)
4.4		Lift (with STD 2-stage mast)	mm(in)	h3	3000(118.1)
4.5		Height, mast extended	mm(in)	h4	3981(156.7)
4.7		Height to top of overhead guard	mm(in)	h6	2050(80.7)
4.8		Seat height/stand height	mm(in)	h7	1060(41.7)
4.12		Towing coupling height	mm(in)	h10	290(11.4)
4.19		Overall length	mm(in)	l1	3131(123.3)
4.20		Length to face of forks	mm(in)	l2	2061(81.1)
4.21		Overall width	mm(in)	b1	1150(45.3)
4.22		Fork dimensions	mm(in)	s / e / l	35 / 100 / 1070(1.4 / 3.9 / 42.1)
4.23		Fork carriage ISO 2328. Class/type A, B			II A
4.24		Fork carriage width	mm(in)	b3	1040(40.9)
4.24a		Fork Spacing (min/max)	mm(in)		200/1040 (7.9/40.9)
4.31		Ground clearance, with load, below mast	mm(in)	m1	100(3.9)
4.32		Ground clearance, centre of wheelbase	mm(in)	m2	105(4.1)
4.34.1		Aisle width for pallets 1000 x 1200 crossways	mm(in)	Ast	3401(133.9)
4.34.1		Aisle width for pallets 800 x 1200 lengthways	mm(in)	Ast	3601(141.8)
4.35		Turning radius	mm(in)	Wa	1820(71.6)
4.36	Internal turning radius	mm(in)	b13	460(18.1)	
Performance	5.1	Travel speed, loaded / unloaded	km/h(mph)		13 / 15 (8.1 / 9.3)
	5.2	Lift speed, loaded / unloaded	mm/s(fpm)		320 / 420 (63.0 / 82.7)
	5.3	Lowering speed, loaded / unloaded	mm/s(fpm)		370 / 370 (72.8 / 72.8)
	5.6	Maximum drawbar pull, loaded / unloaded, 5 minute rating	N(lb)		13000 / 13000 (2918/ 2918)
	5.8	Maximum gradeability, loaded / unloaded, 5 minute rating	%(deg)		13 / 15 (7.4 / 8.5)
	5.10	Service brake			FOOT / HYD
	Parking brake			FOOT / MECH	
Electric	6.1	Drive motor rating S2 60 minute	kW(hp)		6.8(9.2)
	6.2	Lifting motor rating at S3 15%	kW(hp)		8.6(11.6)
	6.3	Battery type			Lead-acid
	6.4	Battery voltage/nominal capacity K5	V/Ah		48/400
	6.5	Battery weight (min)	kg(lb)		660(1452)
	Battery Compartment L/W/H	mm(in)		980 / 398 / 760(38.5 / 15.6 / 29.9)	
Others	8.1	Type of drive control unit			Inverter AC
	8.2	Working press for attachments	bar(psi)	System	175(2538)
				Attachment	155(2248)
8.4	Sound level at the driver's ear according to EN 12 053	dB (A)			73

Dimensional Drawing



Mast Specifications and Rated Capacities

B15N

Mast Type	Max. Fork Height		Mast Lowered Height		Extended Height		Free Lift		Tilt Angle		Load Capacities	
	mm	in	mm	in	mm	in	mm	in	deg	deg	kg	LC 24" (610mm) lb
STD	2900 ¹⁾	114	1947	77	3881	153	125	5	6	10	1500	3000
	3000	118	1997	79	3981	157	125	5	6	10	1500	3000
	3300	130	2147	85	4281	169	125	5	6	10	1500	3000
	3600	142	2297	90	4581	180	125	5	6	10	1500	3000
FFT	4500	177	2120	83	5480	216	1163	46	6	6	1300	2600
	4800	189	2220	87	5780	228	1263	50	6	6	1100	2200

1) Mast for Low OVHG 1,980mm(78.0")

Note : These load capacities are based on the standard chassis without side shifter.
Products and specifications are subject to improvement and change without prior notices.



2019 July

Doosan Corporation Industrial Vehicles
Web site : www.doosan-iv.com

AUTHORIZED DEALER