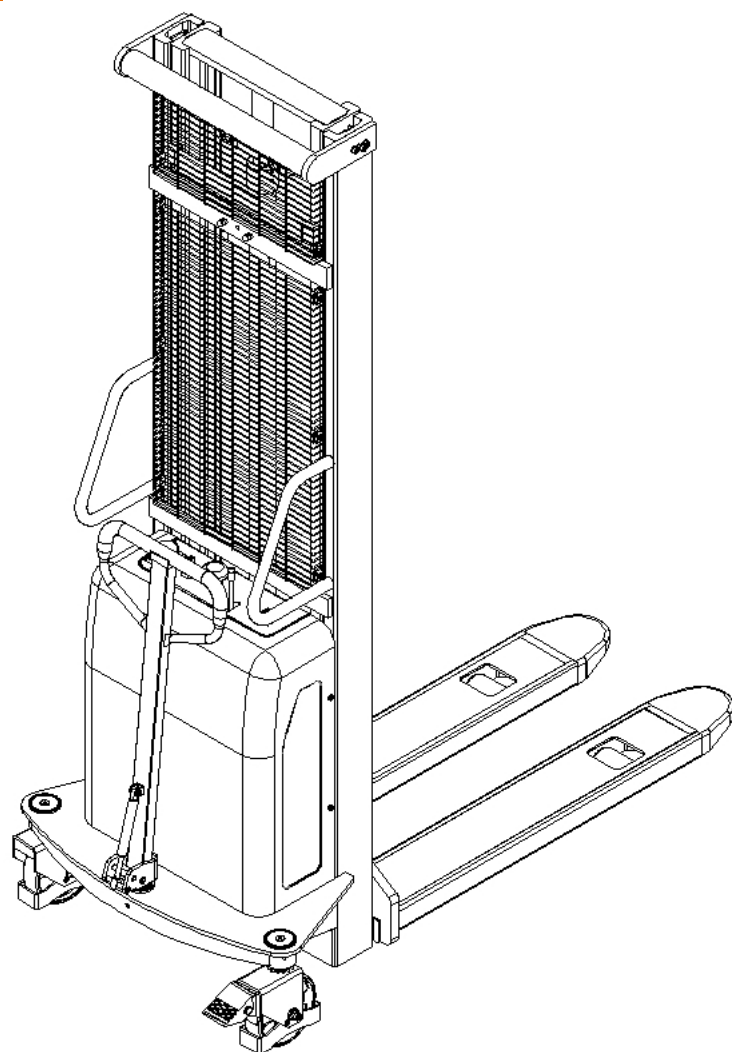


# SPAREPARTS LIST

## Semi-electric Stacker SPN15



Version 02/2018

From truck identification number:

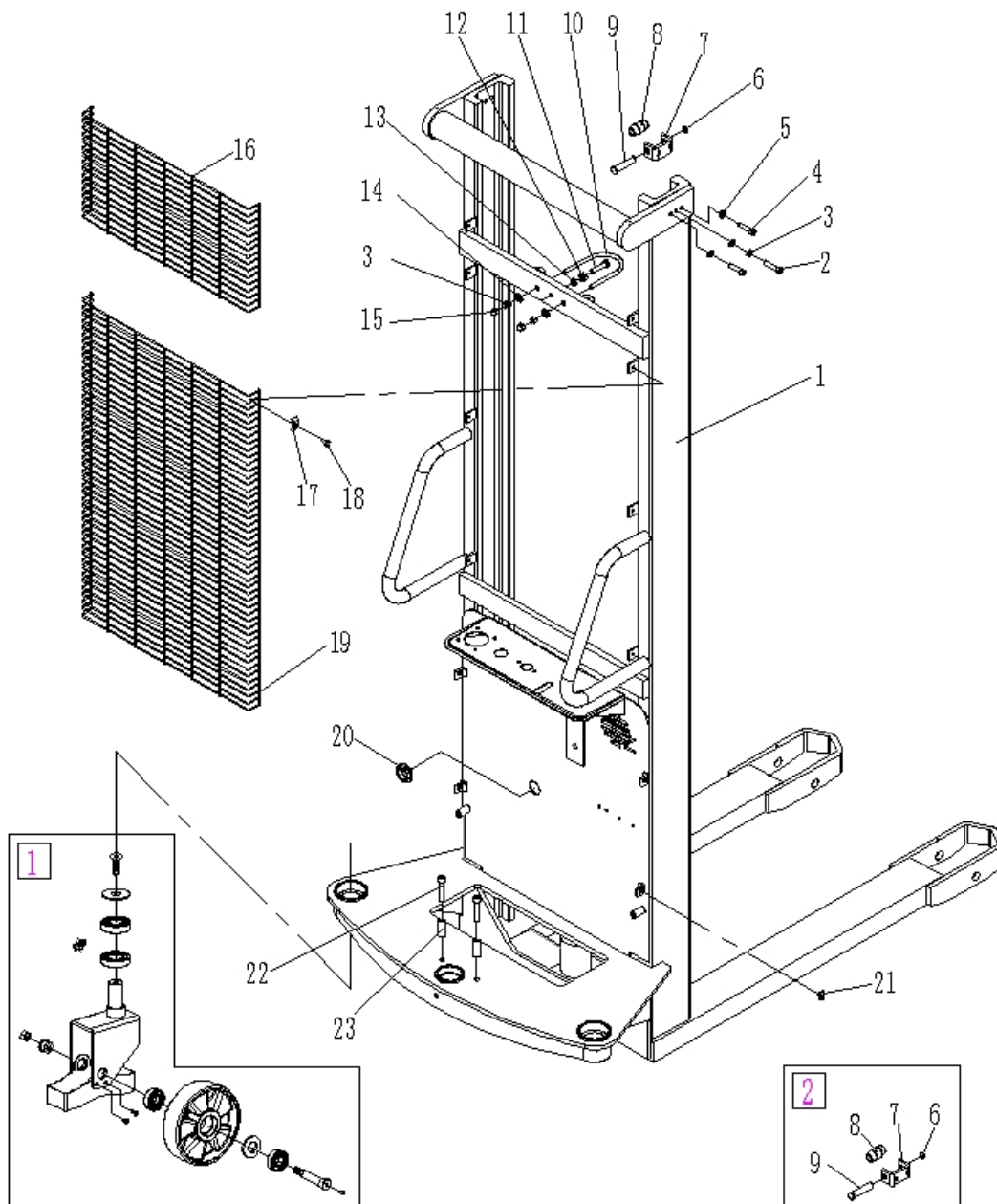
30130700011

SPN15-BPT-003-EN

# Catalogue

<b>Fig.1 Portable double mast .....</b>	<b>2</b>
<b>Fig.2 Stationary double mast .....</b>	<b>4</b>
<b>Fig.3 Portable single mast.....</b>	<b>6</b>
<b>Fig.4 Stationary single mast .....</b>	<b>8</b>
<b>Fig.5 Wheel assembly.....</b>	<b>10</b>
<b>Fig.6 Load roller assembly.....</b>	<b>12</b>
<b>Fig.7 Inner mast .....</b>	<b>13</b>
<b>Fig.8 Handle steering system .....</b>	<b>15</b>
<b>Fig.9 Stationary pallet.....</b>	<b>17</b>
<b>Fig.10 Portable pallet .....</b>	<b>18</b>
<b>Fig.11 Hydraulic system .....</b>	<b>19</b>
<b>Fig.12 Electrical box assembly .....</b>	<b>21</b>
<b>Fig.13 Pump assembly (With electromagnetic valve).....</b>	<b>23</b>
<b>Fig.14 Pump assembly (Without electromagnetic valve).....</b>	<b>25</b>
<b>Easy worn parts list .....</b>	<b>27</b>

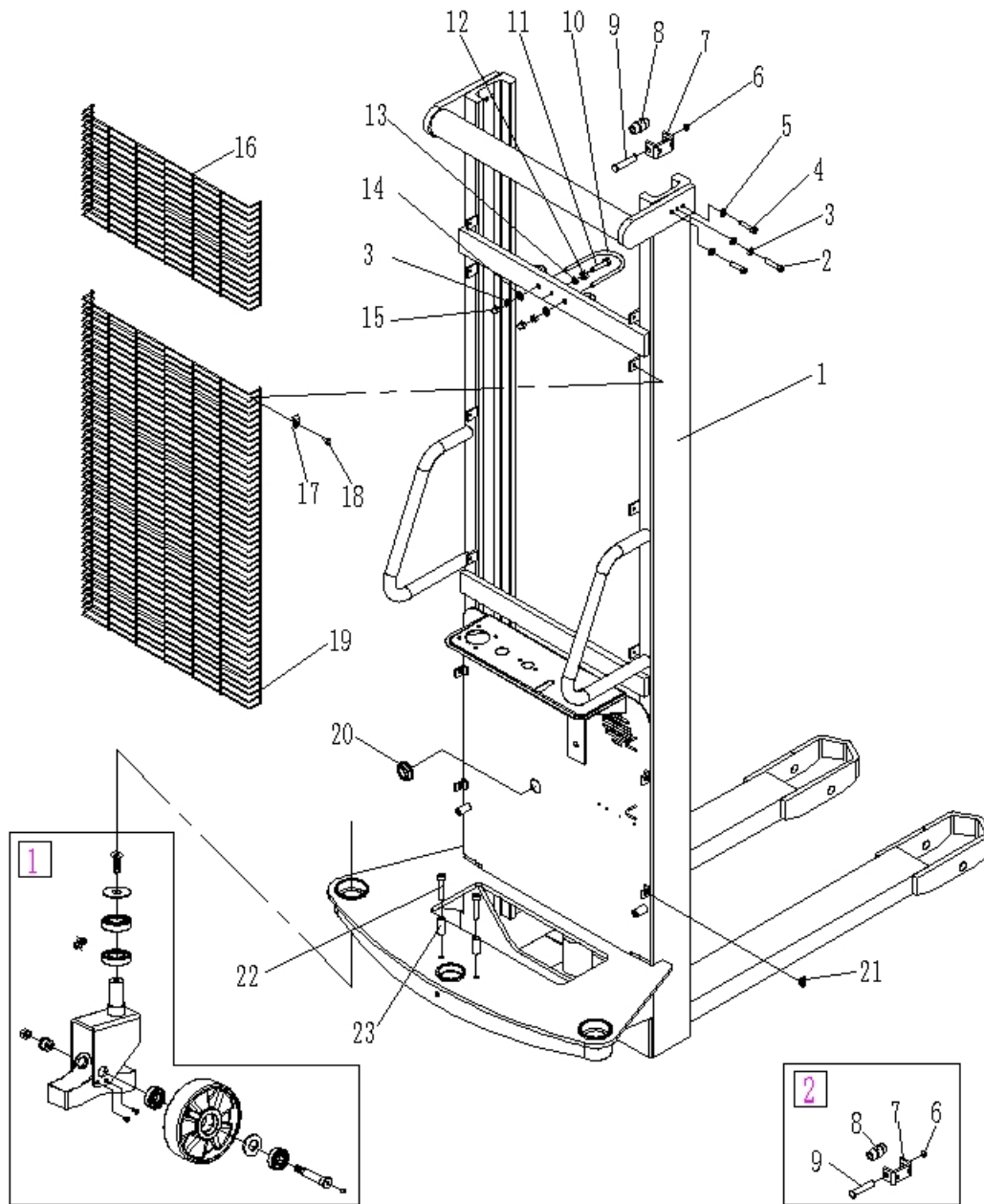
Fig.1 Portable double mast



**Fig. 1 Portable double mast**

No.	Art No.	Description	Qty.	Note
1	9000012422	Portable Mast ( 2500 )	1	2500
	9000012423	Portable Mast ( 3000 )		3000
	9000012424	Portable Mast ( 3500 )		3500
2	0000023077	Screw	2	M8x40
3	0000024086	Nut	4	M8
4	0000023487	Screw	4	M8x35
5	0000025005	Washer	6	8
6	0000026034	Circlip	2	12
7	2530504007	Seat	2	
8	2530511004	Guide wheel	2	
9	2500507003	Short axle	2	
10	2530202001	Hoop	1	
11	0000023495	Bolt	1	M10x40
12	0000024091	Nut	1	M10
13	0000025065	Washer	1	10
14	0000025005	Washer	2	10
15	0000024092	Nut	2	M8
16	9000012038	Protective cover	1	2500
	2500537007	Protective cover		3000
	2500537007	Protective cover		3500
17	2240637001	Washer	10	
18	0000023488	Screw	10	M6x16
19	2500537007	Protective cover	1	2500
	9000012058	Protective cover		3000
	2500537006	Protective cover		3500
20	2210418003	Bushing	1	
21	9000007785	Nut	4	M6
22	0000023099	Screw	2	M10x45
23	1070213004	Shaft sleeve	2	
①	2500500007	Wheel assembly	1	White nylon wheel
	2500500021	Wheel assembly		Red PU wheel
	2500500022	Wheel assembly		Yellow PU wheel
	2500500023	Wheel assembly		Black nylon wheel
②	2530500011	Guide wheel	2	

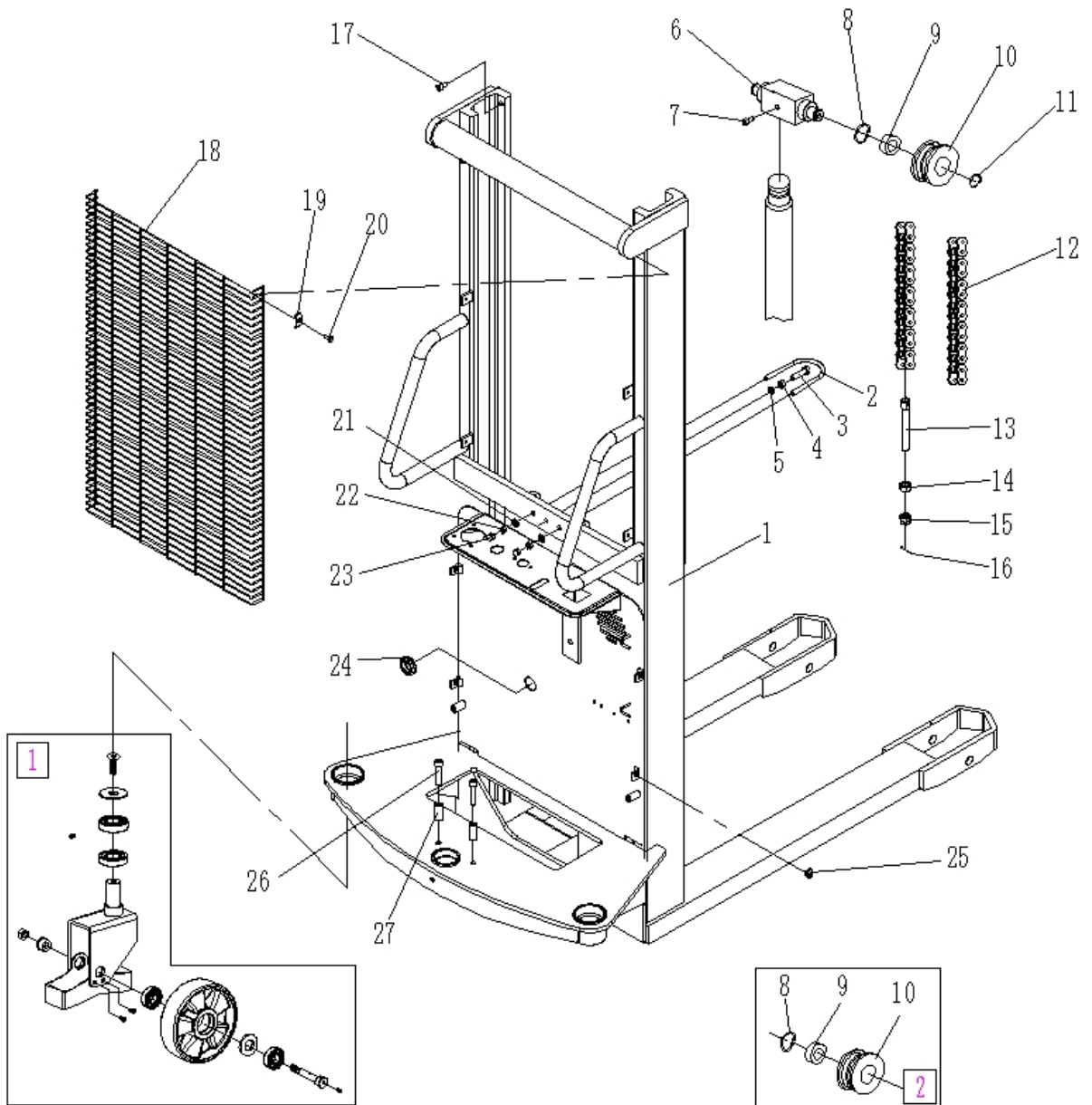
Fig.2 Stationary double mast



**Fig. 2 Stationary double mast**

No.	Art No.	Description	Qty.	Note
1	9000012035	Mast (570x1150; 2500)	1	2500
	9000012036	Mast (570x1150; 3000)		3000
	9000012037	Mast (570x1150; 3500)		3500
2	0000023077	Screw	2	M8x40
3	0000024086	Nut	4	M8
4	0000023487	Screw	4	M8x35
5	0000025005	Washer	6	8
6	0000026034	Circlip	2	12
7	2530504007	Seat	2	
8	2530511004	Guide wheel	2	
9	2500507003	Short axle	2	
10	2530202001	Hoop	1	
11	0000023495	Bolt	1	M10x40
12	0000024091	Nut	1	M10
13	0000025065	Washer	1	10
14	0000025005	Washer	2	10
15	0000024092	Nut	2	M8
16	9000012038	Protective cover	1	2500
	2500537007	Protective cover		3000
	2500537007	Protective cover		3500
17	2240637001	Washer	10	
18	0000023488	Screw	10	M6x16
19	2500537007	Protective cover	1	2500
	9000012058	Protective cover		3000
	2500537006	Protective cover		3500
20	2210418003	Bushing	1	
21	9000007785	Nut	4	M6
22	0000023099	Screw	2	M10x45
23	1070213004	Shaft sleeve	2	
[1]	2500500007	Wheel assembly	1	White nylon wheel
	2500500021	Wheel assembly		Red PU wheel
	2500500022	Wheel assembly		Yellow PU wheel
	2500500023	Wheel assembly		Black nylon wheel
[2]	2530500011	Guide wheel	2	

Fig.3 Portable single mast

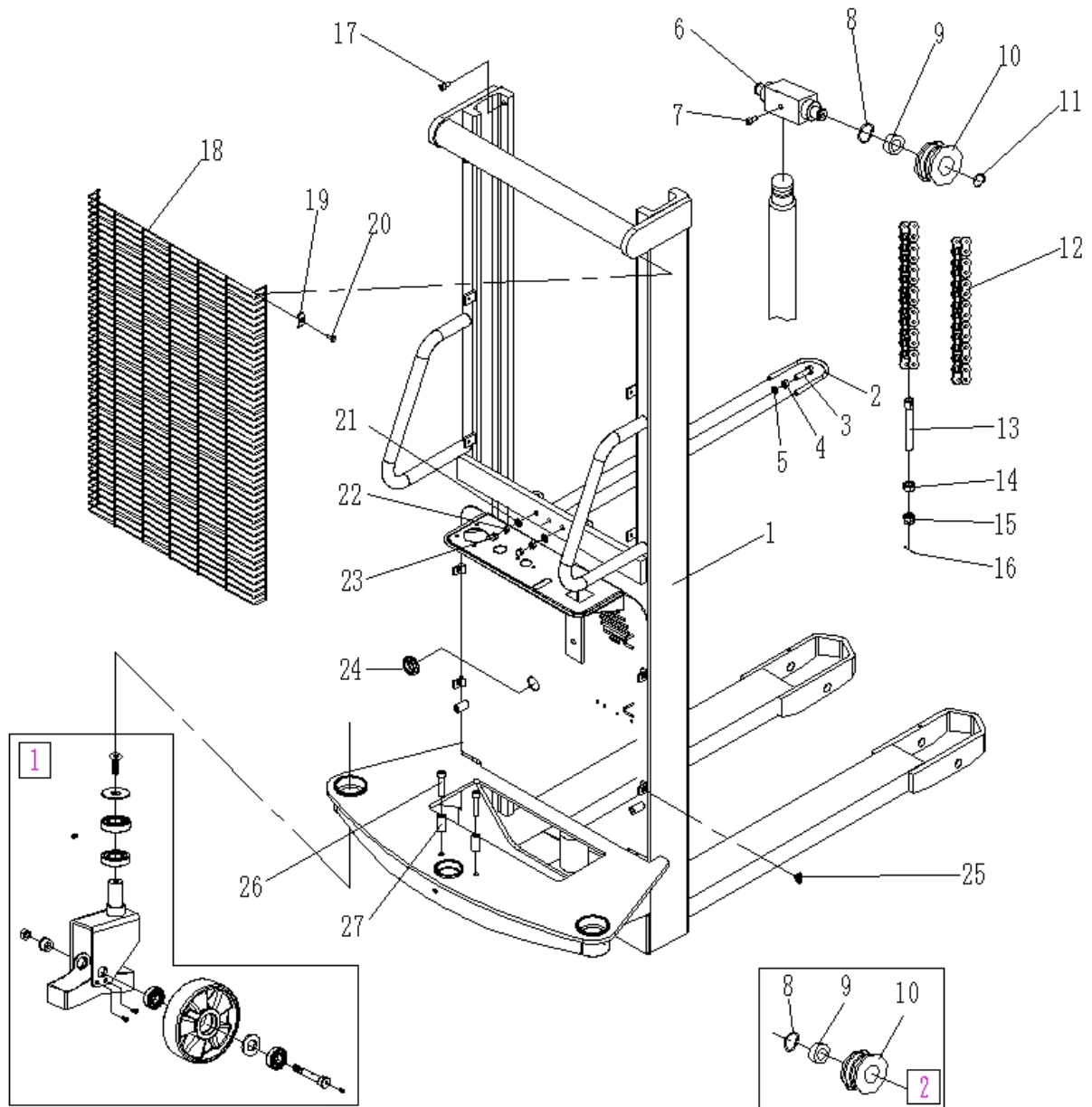


**Fig. 3 Portable single mast**

No.	Art No.	Description	Qty.	Note
1	9000012421	Portable single mast	1	1600
2	2500202001	Hoop	1	
3	0000023495	Bolt	1	M10x40
4	0000024091	Nut	1	M10
5	0000025065	Washer	1	10
6	2530502004	<u>Footstock</u>	1	
7	0000023013	Screw	1	M8x16
8	0000026002	Circlip	2	52
9	0090000743	Bearing	2	62052Z
10	2530502003	Chain wheel	2	
11	0000026013	Circlip	2	25
12	0090000432	Roller chain	2	12A-1x61
13	2500502007	Chain pull rod	2	
14	0000024087	Nut	2	M14
15	0000024015	Nut	2	M14
16	0000028104	Split pin	2	2.5x25
17	0000023166	Screw	2	M8x20
18	2500537009	Protective cover	1	
19	2240637001	Washer	6	
20	0000023488	Screw	6	M6x16
21	0000025005	Washer	2	8
22	0000024086	Nut	2	M8
23	0000024092	Nut	2	M8
24	2210418003	Bushing	1	
25	9000007785	Nut	4	M6
26	0000023099	Screw	2	M10x45
27	1070213004	Shaft sleeve	2	
1	2500500007	Wheel assembly	1	White nylon wheel
	2500500021	Wheel assembly		Red PU wheel
	2500500022	Wheel assembly		Yellow PU wheel
	2500500023	Wheel assembly		Black nylon wheel
2	9000012064	Chain wheel kit	2	



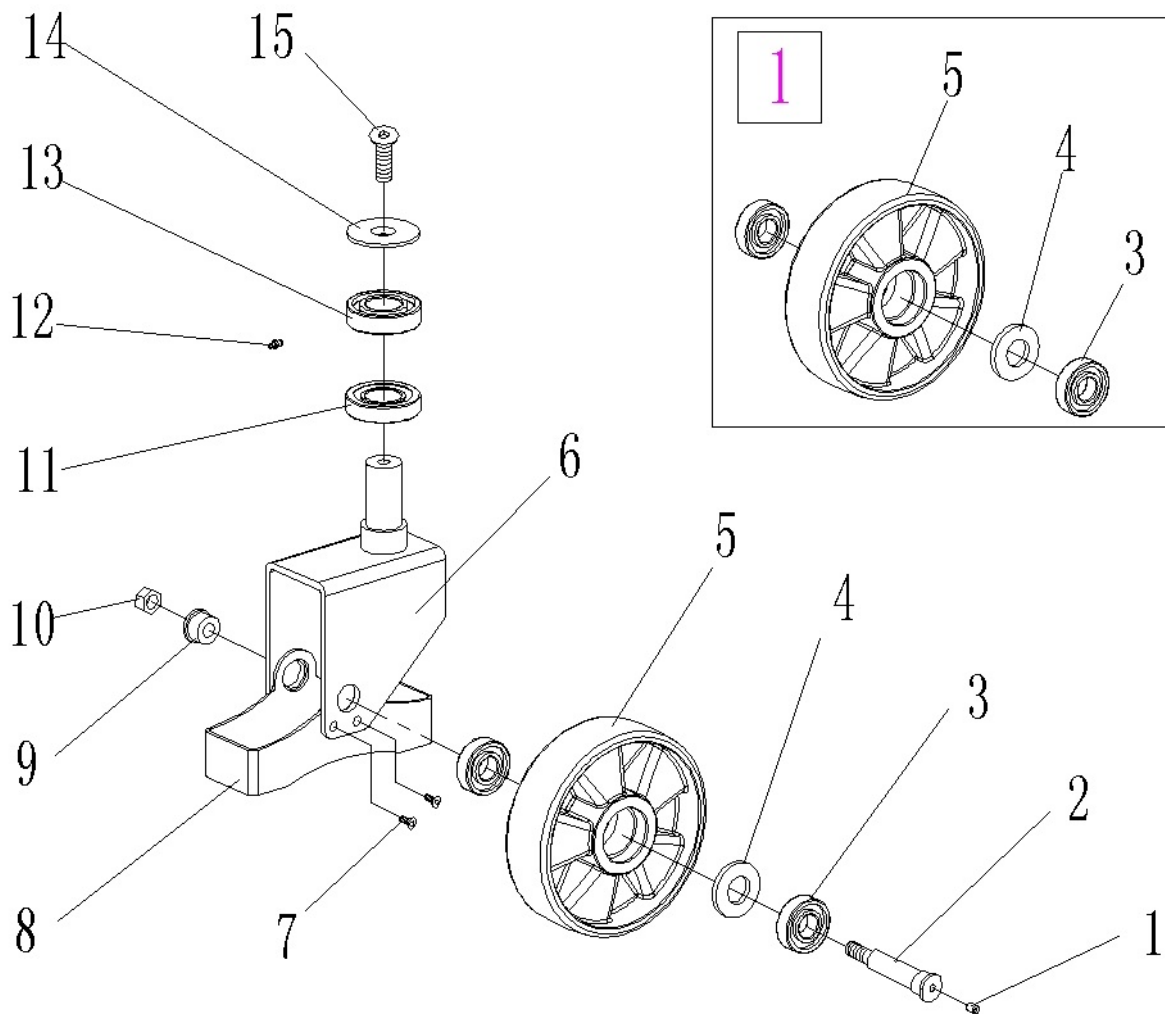
Fig.4 Stationary single mast



**Fig. 4 Stationary single mast**

No.	Art No.	Description	Qty.	Note
1	9000012062	One-stage-mast	1	570x1150; 1600
2	2500202001	Hoop	1	
3	0000023495	Bolt	1	M10x40
4	0000024091	Nut	1	M10
5	0000025065	Washer	1	10
6	2530502004	Footstock	1	
7	0000023013	Screw	1	M8x16
8	0000026002	Circlip	2	52
9	0090000743	Bearing	2	62052Z
10	2530502003	Chain wheel	2	
11	0000026013	Circlip	2	25
12	0090000432	Roller chain	2	12A-1x61
13	2500502007	Chain pull rod	2	
14	0000024087	Nut	2	M14
15	0000024015	Nut	2	M14
16	0000028104	Split pin	2	2.5x25
17	0000023166	Screw	2	M8x20
18	2500537009	Protective cover	1	
19	2240637001	Washer	6	
20	0000023488	Screw	6	M6x16
21	0000025005	Washer	2	8
22	0000024086	Nut	2	M8
23	0000024092	Nut	2	M8
24	2210418003	Bushing	1	
25	9000007785	Nut	4	M6
26	0000023099	Screw	2	M10x45
27	1070213004	Shaft sleeve	2	
1	2500500007	Wheel assembly	1	White nylon wheel
	2500500021	Wheel assembly		Red PU wheel
	2500500022	Wheel assembly		Yellow PU wheel
	2500500023	Wheel assembly		Black nylon wheel
2	9000012064	Chain wheel kit	2	

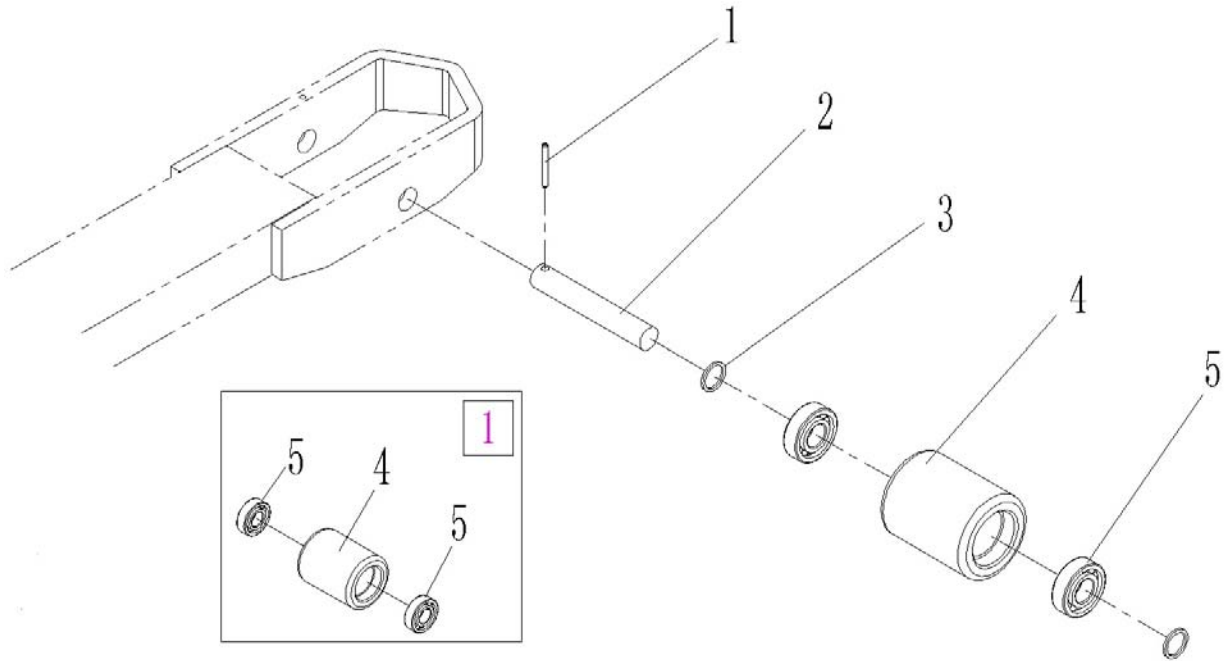
Fig.5 Wheel assembly



**Fig. 5 Wheel assembly**

No.	Art No.	Description	Qty.	Note
1	1010530001	Grease nipple	1	6
2	2500507001	Wheel axle	1	
3	0000027107	Bearing	2	62042Z
4	2500502010	Washer	1	
5	2500516001	Wheel	1	White nylon wheel
	2800116001	Wheel		Red PU wheel
	2530516003	Wheel		Yellow PU wheel
	2530516001	Wheel		Black nylon wheel
6	2500501012	Wheel frame	1	
7	0000023484	Screw	4	M6X10
8	2500504002	Baffle	1	
9	2500525002	Washer	1	
10	0000024085	Nut	1	M12
11	0000027066	Bearing	1	30206
12	0000030028	Grease nipple	1	M8x1
13	0000027012	Bearing	1	6206
14	2500502006	Cover	1	
15	0000023867	Screw	1	M10x20
1	9000012065	Wheel assembly	1	White nylon wheel
	9000012066	Wheel assembly		Red PU wheel
	9000012067	Wheel assembly		Yellow PU wheel
	9000012068	Wheel assembly		Black nylon wheel

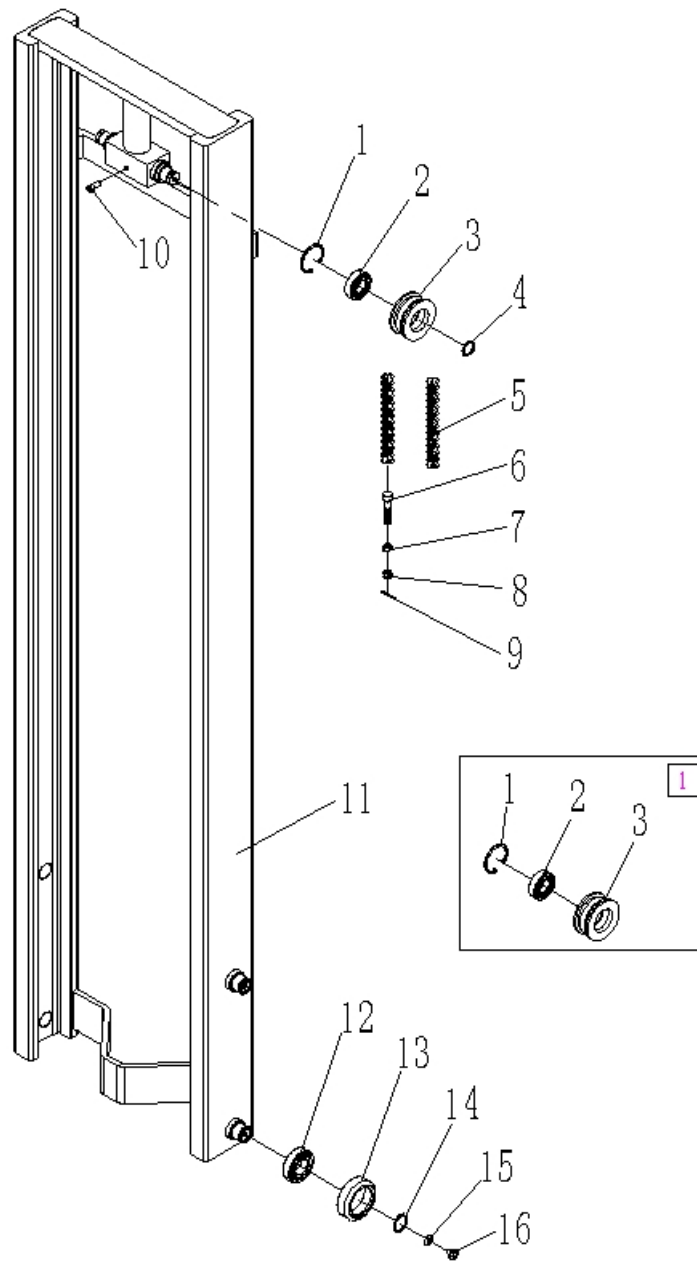
**Fig.6 Load roller assembly**



**Fig. 6 Load roller assembly**

No.	Art No.	Description	Qty.	Note
1	0000028055	Dowel pin	1	5x40
2	2000407004	Wheel axle	1	
3	2530502001	Washer	2	
4	9000011707	Nylon wheel $\phi 74 \times 93$	1	White
	2530516005	Nylon wheel $\phi 74 \times 93$		Black
	1500316005	PU wheel $\phi 74 \times 93$		Red
	1500316006	PU wheel $\phi 74 \times 93$		Yellow
5	0000027107	Bearing 62042Z	2	
1	9000012069	Wheel kit	1	White nylon wheel
	9000012070	Wheel kit		Black nylon
	9000012071	Wheel kit		Red PU wheel
	9000012072	Wheel kit		Yellow PU wheel

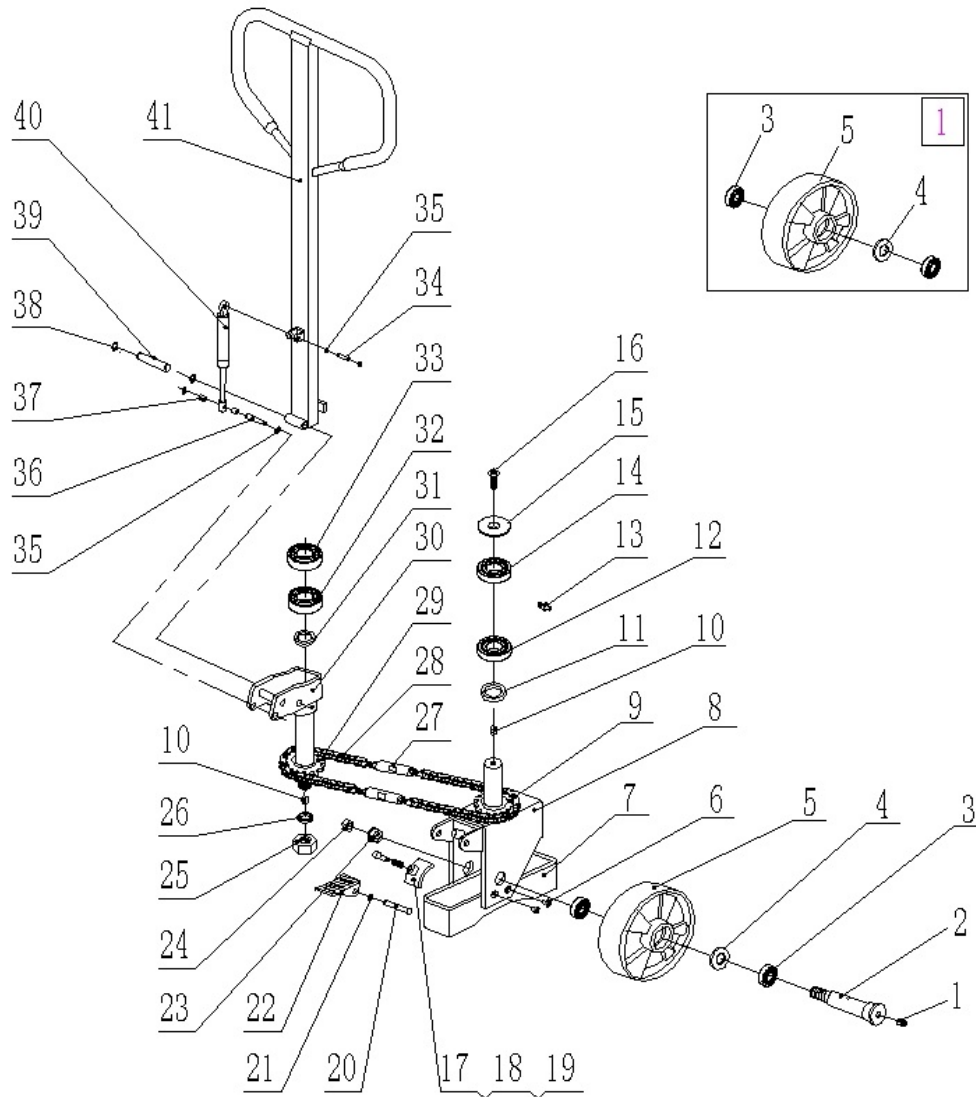
Fig.7 Inner mast



**Fig. 7 Inner mast**

No.	Art No.	Description	Qty.	Note
1	0000026002	Circlip	2	
2	0090000743	Bearing	2	62052Z
3	2530502003	Chain wheel	2	
4	0000026013	Circlip	2	
5	0000029267	Roller chain 12A-1x91	1	2500
	0000029288	Roller chain 12A-1x101		3000
	0000029270	Roller chain 12A-1x115		3500
6	2500502007	Chain pull rod	2	
7	0000024087	Nut	2	M14
8	0000024015	Nut	2	M14
9	0000028104	Split pin	2	2.5x25
10	0000023013	Screw	1	M8x16
11	9000012059	Mast (2500; 570)	1	2500
	9000012060	Mast (3000; 570)		3000
	9000012061	Mast (3500; 570)		3500
12	0000027012	Bearing	4	6206
13	2530411001	Roller (φ76.5)	4	
	2530411002	Roller (φ78)		
14	0000026008	Circlip	4	
15	2500525001	Washer	4	
16	2500502003	Side cushion block	4	
1	9000012064	Chain wheel kit	2	

**Fig.8 Handle steering system**



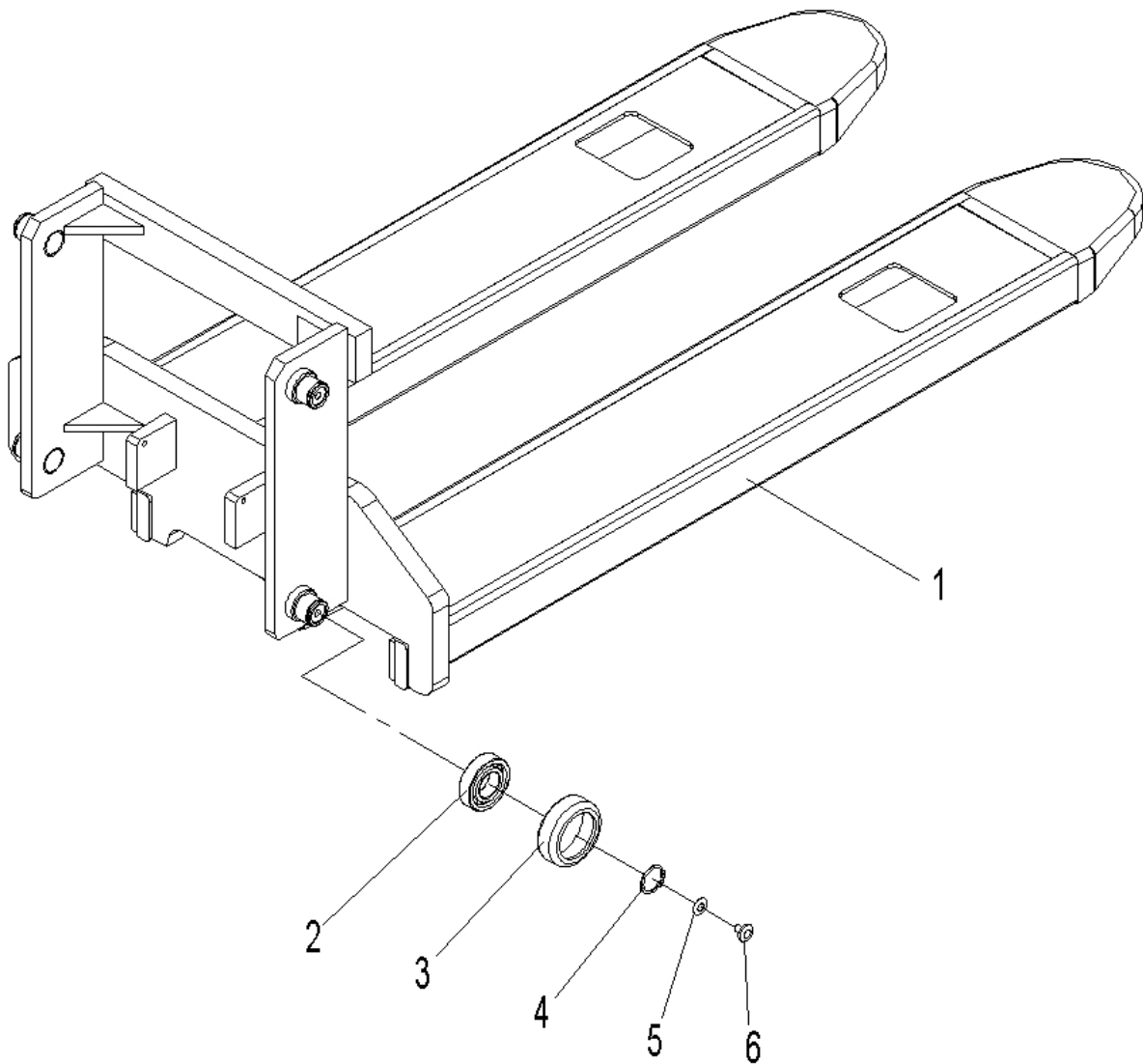
**Fig.8 Handle steering system**

No.	Art No.	Description	Qty.	Note
1	1010530001	Grease nipple	1	6
2	2500507001	Wheel axle	1	
3	0000027107	Bearing	2	62042Z
4	2500502010	Washer	1	
5	2500516001	Wheel	1	White nylon wheel
	2800116001			Red PU wheel
	2530516003			Yellow PU wheel
	2530516002			Black PU wheel
6	0000023484	Screw	4	M6X10
7	2500504002	Baffle	1	
8	2500501011	Wheel frame	1	
9	2500109002	Steering chain wheel	1	
10	0000036010	Flat key C 6x6	2	L=9



11	2500125002	Washer	1	
12	0000027066	Bearing	1	30206
13	0000030028	Grease nipple	1	M8x1
14	0000027012	Bearing	1	6206
15	2500502006	Cover	1	
16	0000023867	Screw	1	M10x20
17	2500505001	Brake block	1	
18	2540231001	Spring	1	
19	2500523002	Screw	1	
20	2500507002	Short axle	1	
21	0000026034	Circlip	1	12
22	2500505002	Pedal	1	
23	2500525002	Washer	1	
24	0000024085	Nut	1	M12
25	0000024041	Nut	1	M18
26	0000025023	Washer	1	18
27	2500100003	Screw	2	
28	0090000644	Roller chain	1	08B-1x23
29	2500109001	Steering chain wheel	1	
30	2500101001	Handle steering seat	1	
31	9000012040	Washer	1	Thickness 6
32	0090000643	Bearing	1	7205C
33	0090000743	Bearing	1	62052Z
34	2500107001	Short axle	1	
35	0000026041	Circlip	4	
36	2500107003	Gas spring axle	1	
37	2500113001	Bushing	2	
38	0000026034	Circlip	2	
39	2500107002	Linking axle	1	
40	2500137001	Air spring	1	
41	2500100002	Steering handle	1	
1	9000012065	Wheel kit	1	White nylon wheel
	9000012066	Wheel kit		Red PU wheel
	9000012067	Wheel kit		Yellow PU wheel
	9000012425	Wheel kit		Black PU wheel

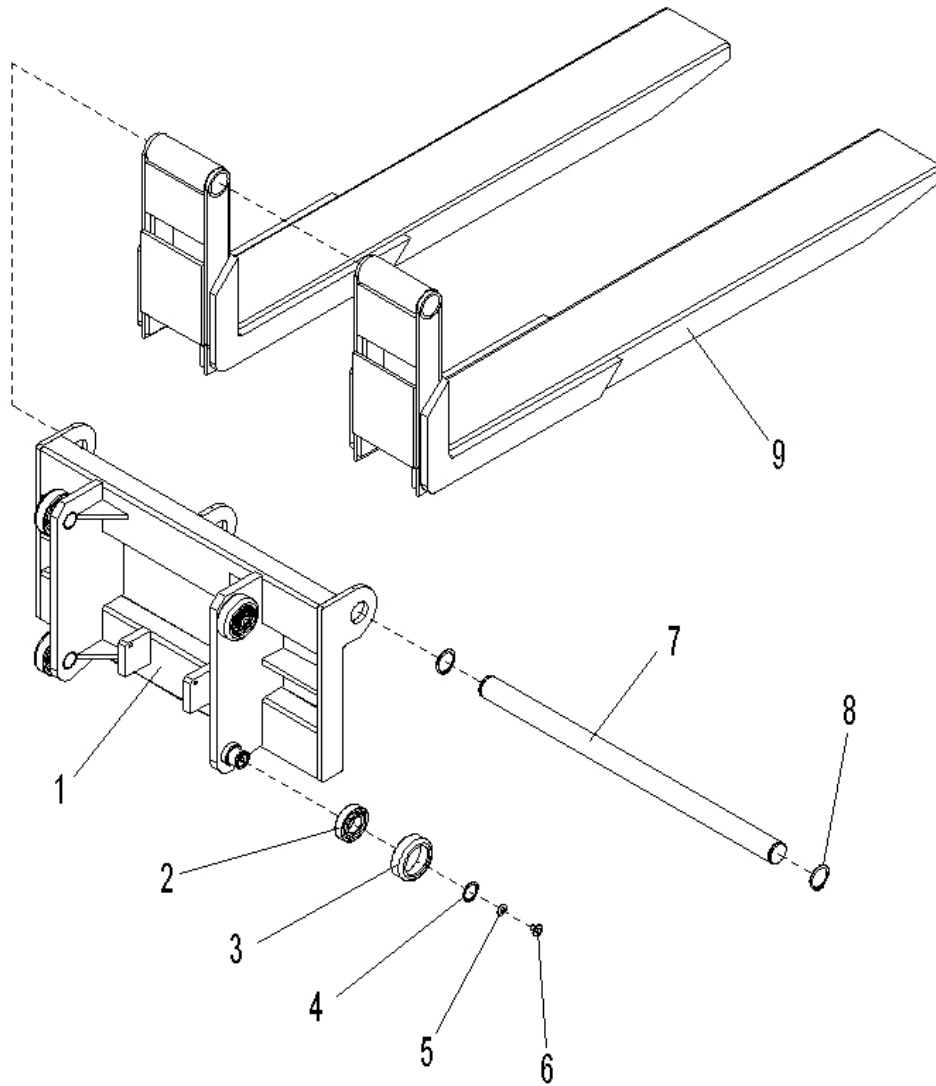
**Fig.9 Stationary pallet**



**Fig.9 Stationary pallet**

No.	Art No.	Description	Qty.	Note
1	9000012057	Pallet (570x1150)	1	Two-stage-mast
	9000012039			One-stage-mast
2	0000027012	Bearing	4	6206
3	2530411001	Roller (φ76.5)	4	
	2530411002	Roller (φ78)		
4	0000026008	Circlip	4	
5	2500525001	Washer	4	
6	2500502003	Side cushion block	4	

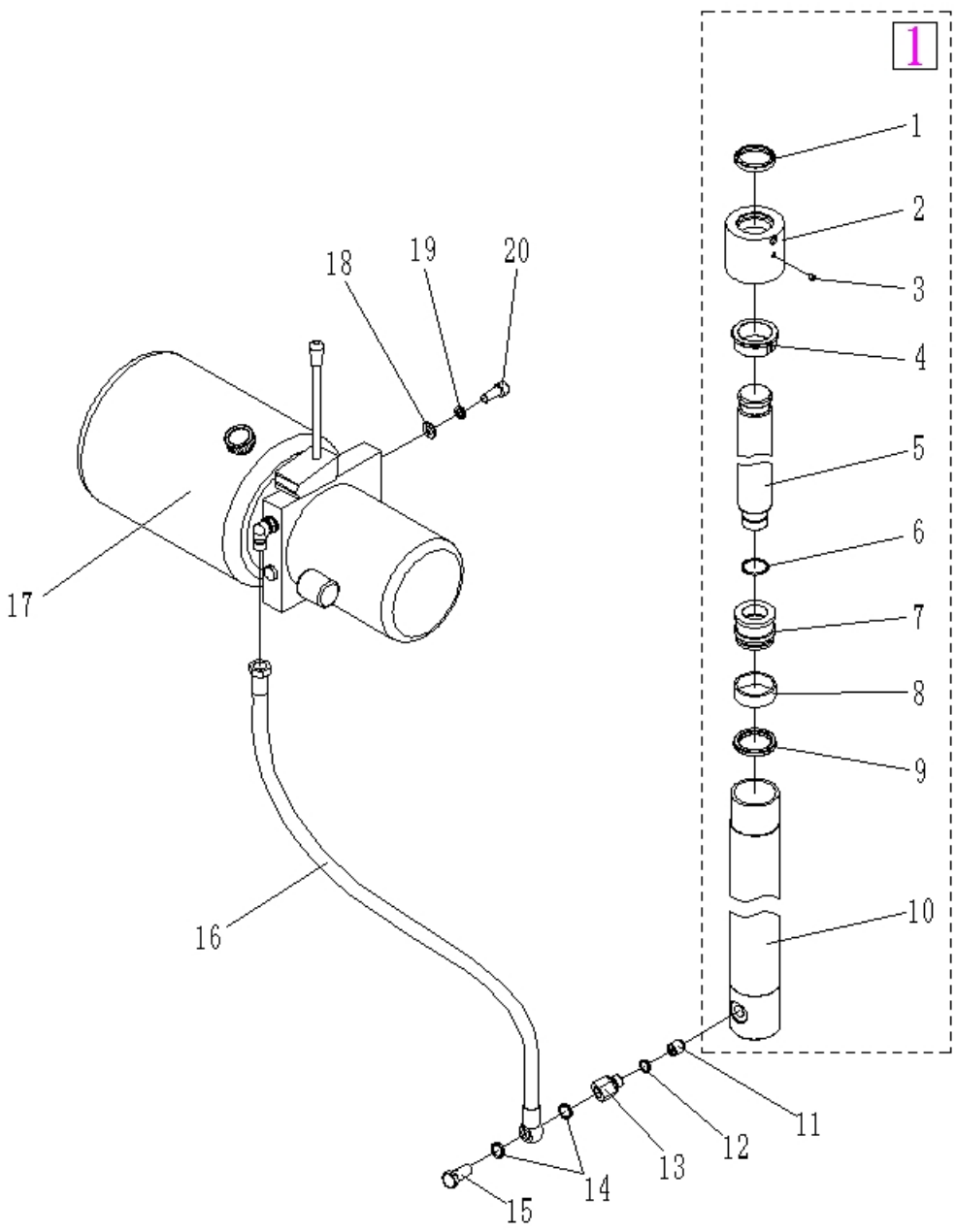
**Fig.10 Portable pallet**



**Fig.10 Portable pallet**

No.	Art No.	Description	Qty.	Note
1	9000012419	Pallet	1	Two-stage-mast
	9000012420			One-stage-mast
2	0000027012	Bearing	4	6206
3	2530411001	Roller (φ76.5)	4	
	2530411002	Roller (φ78)		
4	0000026008	Circlip	4	30
5	2500525001	Washer	4	
6	2500502003	Side cushion block	4	
7	2530507002	Long shaft	1	
8	0000026045	Circlip	2	38
9	2530401012	Pallet (900)	2	
	2530401024	Pallet (1100)		
	2530401025	Pallet (1150)		

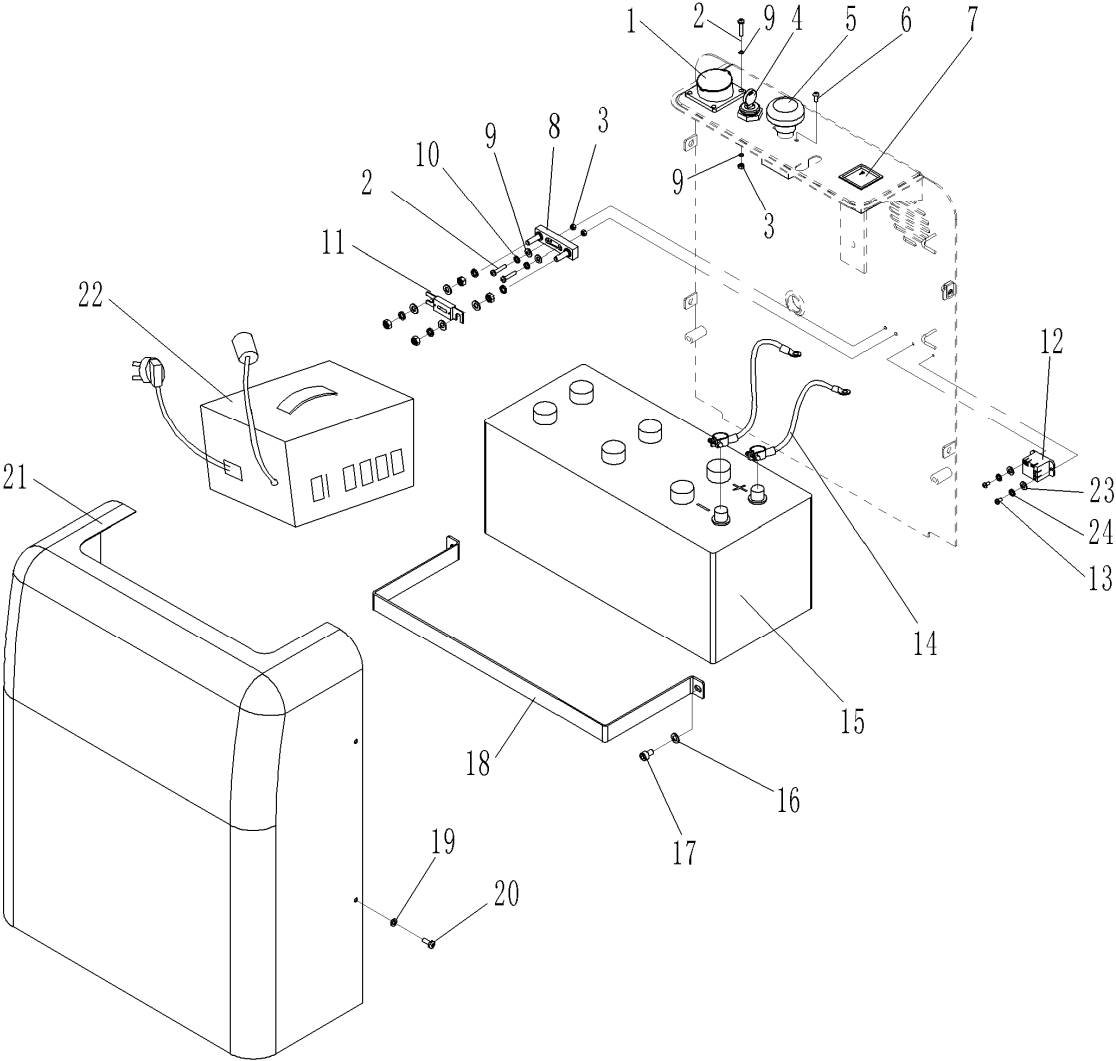
Fig.11 Hydraulic system



**Fig.11 Hydraulic system**

No.	Art No.	Description	Qty.	Note
1	0000022125	Rubber dust ring	1	40x48x6.5
2	2520202001	Cover	1	
3	0000023502	Screw	1	M6x6
4	1050302003	Bushing	1	
5	9000012041	Piston rod	1	1600
	9000012042			2500
	9000012043			3000
	9000012044			3500
6	0090000611	Circlip	1	30x2
7	9000012045	Piston	1	
8	2520202003	Supporting ring of hole	1	50×15×2.5
9	0000022188	Rubber seal ring	1	40x50x6
10	9000012046	Barrel	1	1600
	9000012047			2500
	9000012048			3000
	9000012049			3500
11	2000337001	Safety explosion-proof components	1	
12	0000022051	Washer	1	16
13	2000337001	Safety valve	1	
14	0000022005	Washer	2	14
15	0000023112	Bolt	1	M14x1.5x32
16	9000012050	Hydraulic hose assembly	1	
17	9000012412	Pump station 12V-1.6kw-2.0CC	1	Without electromagnetic valve
	9000012056			With electromagnetic valve
18	0000025106	Washer	2	10
19	0000025065	Washer	2	10
20	0000023526	Screw	2	M10x25
1	9000012051	Cylinder assembly	1	1600
	9000012052	Cylinder assembly		2500
	9000012053	Cylinder assembly		3000
	9000012054	Cylinder assembly		3500

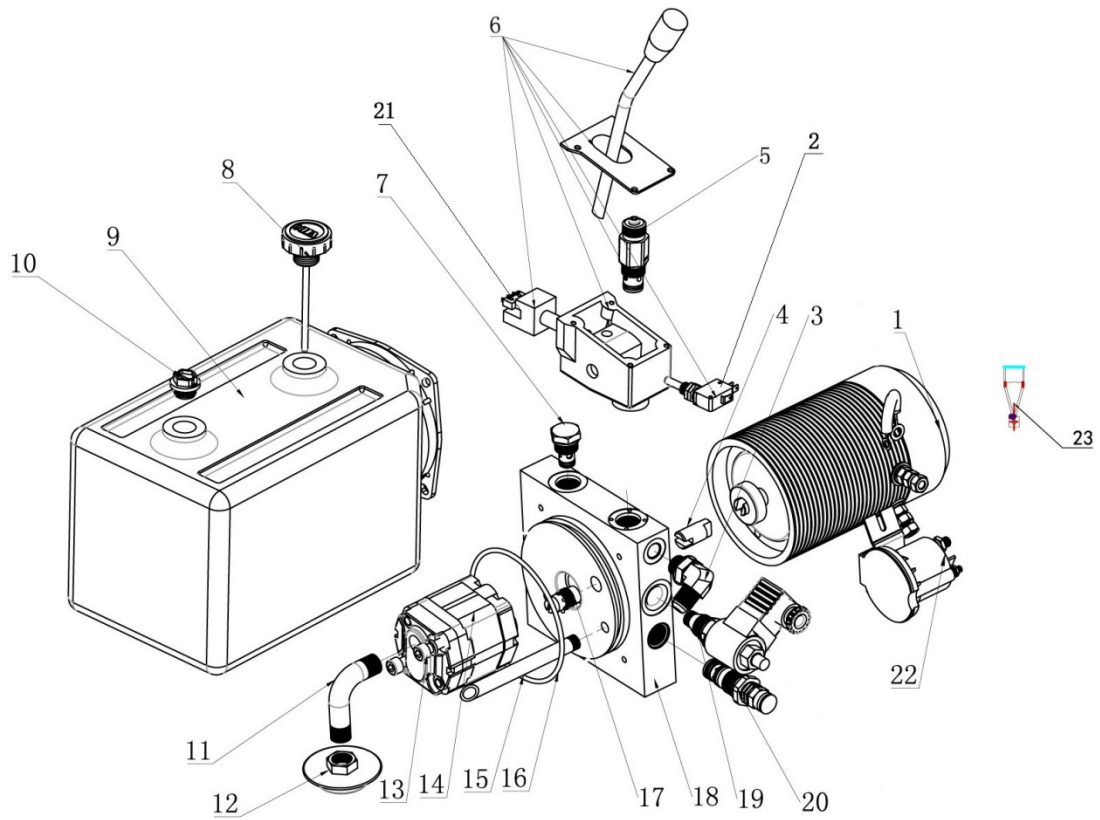
**Fig.12 Electrical box assembly**



**Fig. 12 Electrical box assembly**

No.	Art No.	Description	Qty.	Note
1	2520300003	Plug	1	NM-1463
2	0000023496	Screw	6	M5x25
3	0000024093	Nut	6	M5
4	2530334002	Key switch	1	LKS-101A
5	2240434001	DC power switch	1	ZDK31-250
6	0000023126	Screw	2	M5x12
7	2520300002	Voltmeter	1	CPC-48 DC20V
8	1000434007	Fuse seat	1	SY Y
9	0000023032	Washer	4	5
10	0000025012	Washer	2	5
11	1020434001	Fuse	1	200A
12	2500334005	Relay	1	AR92-1Z DC12V
13	0000023052	Screw	2	M4x8
14	9000011767	Main power cable	1	Unified
	9000013710	Main power cable	1	Wanda
15	9000012410	Battery 12V/120Ah 5HR	1	120Ah(Unified)
	2520300001	Battery 12V/150Ah 5HR		150Ah(Unified)
	9000013686	Battery 12V/150Ah 5HR		150Ah(Wanda)
16	0000025005	Washer	2	8
17	0000023486	Screw	2	M8x10
18	9000012411	Hoop	1	120Ah(Unified)
	9000012063			150Ah(Unified)
	9000013805			150Ah(Wanda)
19	0000025007	Washer	4	6
20	0000023488	Screw	4	M6x16
21	9000012055	Main cover	1	
22	9000010788	Charger 24V/18A	1	Asia in Chinese
	9000011783			Asia in English
	9000011784			For EU
	9000011785			For AUS
	9000011786			For UK
	9000011787			For USA
23	0000025019	Washer	2	4
24	0000025018	Washer	2	4

**Fig.13 Pump assembly (With electromagnetic valve)**

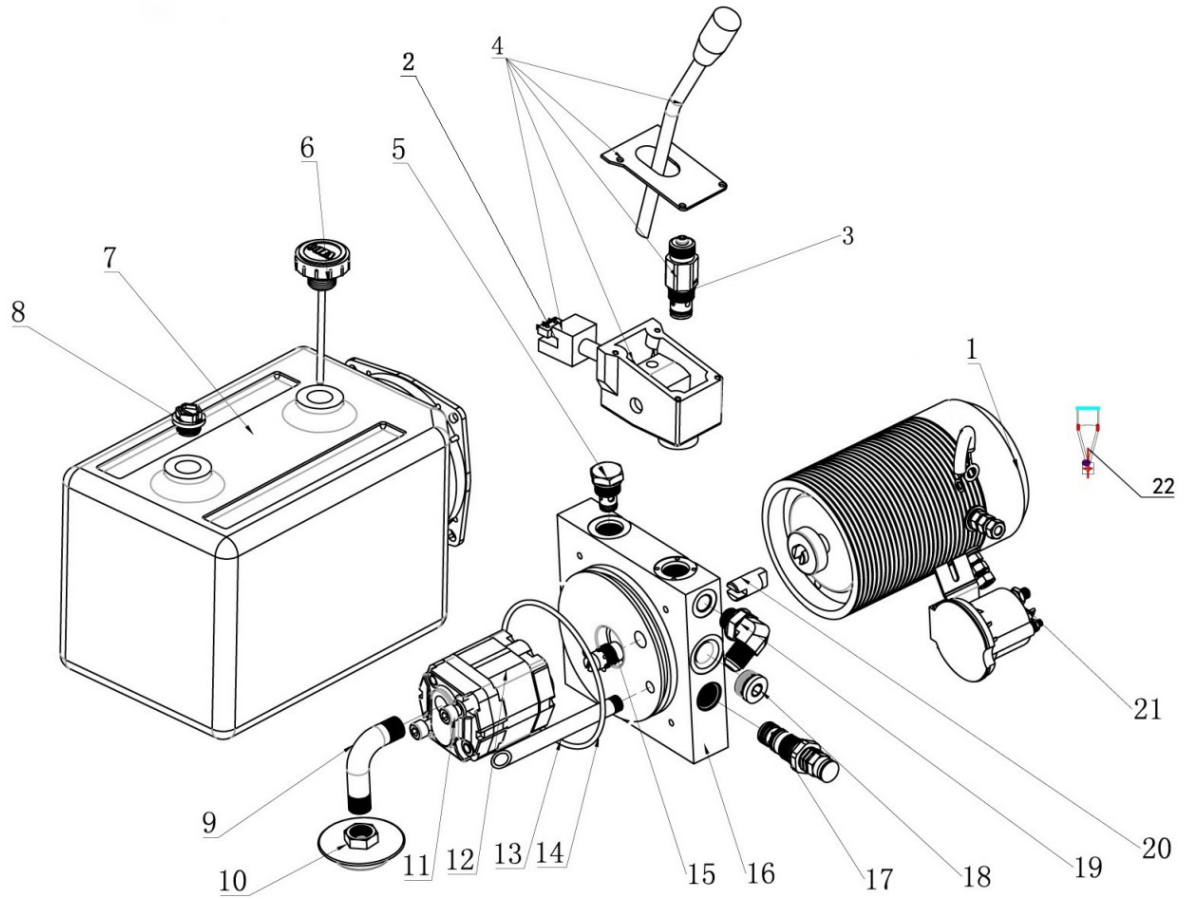




**Fig. 13 Pump assembly (With electromagnetic valve)**

No.	Art No.		Description	Standard	Qty.
	twelve digits code	ten digits code			
1	402698520001	2500237004	Motor	MD12160	1
2	402698520003	2500214002	Micro switch		1
3	402698520017	2500237002	Joint	G3/8-M16*1.5-ZJ	1
4	402698520021		Coupler	DCP-035	1
5	402698520004		Valve core	MV-03-100	1
6	402698510000	2530337013	Hand valve	MV-03	1
7	402698520006	2500235003	Check valve	CV-01	1
8	402698520007	2500237005	Cylinder cover	FC-04	1
9	402698520008	9000012073	Cylinder	58133500207	1
10	402698520023		Plastic plug	PP-04	1
11	402698520009	2500217001	Oil suction pipe	FP-03H-4676	1
12	402698520010		Filter	FS-03B	1
13	402698520011		Bolt	M8x80-N	2
14	402698520012	2500237001	Gear pump	CBK-F120	1
15	402698520013		Oil return hose	RU12-150	1
16	402698520014	2500222001	O ring	112x3.55	1
17	402698520015	2500215001	Flow control	RPCV-02-08	1
18	402698520016	2530237011	Center valve	300.003.201.01	1
19	402698520019	2530337012	Electromagnetic	SCV(E)-Y012DC	1
20	402698520018	2500235002	Overflow valve	RV-03	1
21	402698520005	2500214001	Micro switch		1
22	402698520000	2500214003	Start button	DK0312A	1
23	402698520022	2530337014	Carbon brush	MD12.160-132	4

**Fig.14 Pump assembly (Without electromagnetic valve)**



**Fig. 14 Pump assembly (Without electromagnetic valve)**

No.	Art No.		Description	Standard	Qty.
	twelve digits code	ten digits code			
1	402698520001	2500237004	Motor	MD12160	1
2	402698520005	2500214001	Micro switch		1
3	402698520004		Valve core	MV-03-100	1
4	402698510001		Hand valve	MV-03	1
5	402698520006	2500235003	Check valve	CV-01	1
6	402698520007	2500237005	Cylinder cover	FC-04	1
7	402698520008	9000012073	Cylinder	58133500207	1
8	402698520023		Plastic plug	PP-04	1
9	402698520009	2500217001	Oil suction pipe	FP-03H-4676	1
10	402698520010		Filter	FS-03B	1
11	402698520011		Bolt	M8x80-N	2
12	402698520012	2500237001	Gear pump	CBK-F120	1
13	402698520013		Oil return hose	RU12-150	1
14	402698520014	2500222001	O ring	112x3.55	1
15	402698520015	2500215001	Flow control	RPCV-02-08	1
16	402698520016	2530237011	Center valve	300.003.201.01	1
17	402698520018	2500235002	Overflow valve	RV-03	1
18	402698520020		Plug	SP-06	1
19	402698520017	2500237002	Joint	G3/8-M16*1.5-ZJ	1
20	402698520021		Coupler	DCP-035	1
21	402698520000	2500214003	Start button	DK0312A	1
22	402698520022	2530337014	Carbon brush	MD12.160-132	4

### Easy worn parts list

No.	Art No.	Description	Qty.	Fig./Position	Note
1	9000012065	Wheel assembly (White nylon wheel)	2	Fig.5/ Fig.8/	Wheel assembly Handle steering system
	9000012066	Wheel assembly (Red PU wheel)			
	9000012067	Wheel assembly (Yellow PU wheel)			
	9000012068	Wheel assembly (Black nylon wheel)			
2	9000012069	Wheel assembly (White nylon wheel)	2	Fig.6/	Load roller assembly
	9000012070	Wheel assembly (Black nylon wheel)			
	9000012071	Wheel assembly (Red PU wheel)			
	9000012072	Wheel assembly (Yellow PU wheel)			
3	2500137001	Air spring		Fig.8/40	Handle steering system
4	0000022125	Rubber dust ring 40x48x6.5	1	Fig.11/1	Hydraulic system
5	0090000611	Circlip 30x2	1	Fig.11/6	
6	2520202003	Supporting ring of hole 50×15×2.5	1	Fig.11/8	
7	0000022188	Rubber seal ring 40x50x6	1	Fig.11/9	
8	0000022051	Washer 16	1	Fig.11/12	
9	0000022005	Washer 14	2	Fig.11/14	
10	1020434001	Fuse 200A	1	Fig.12/11	Electrical box
11	2530337014	Carbon brush	1	Fig.13/23 Fig.14/22	Pump station