

SRE135/160/135L/160L

Specifications				SRE135	SRE135L	SRE160	SRE160L	
Identification	1.1	Manufacturer		Toyota	Toyota	Toyota	Toyota	
	1.2	Model		SRE135	SRE135L	SRE160	SRE160L	
	1.3	Drive		Electric	Electric	Electric	Electric	
	1.4	Operator type		Seated	Seated	Seated	Seated	
	1.5	Load capacity/rated load	Q	kg	1350	1350	1600	1600
	1.6	Load centre	c	mm	600	600	600	600
	1.8	Load distance, front axle to fork face Duplex	x	mm	809	812	782	785
	Weight	2.1	Service weight with battery		kg	1175-1240	1175-1240	1295-1585
2.2		Axle load, with load, drive/castor/support arm wheel		kg	1535/1490/1790	1535/1490/1790	1655/1610/2150	1655/1610/2150
2.3		Axle load, without load, drive/castor/support arm wheel		kg	1405/1360/570	1405/1360/570	1530/1480/680	1530/1480/680
Wheels	3.1	Drive/castor/fork wheel			Polyurethane	Polyurethane	Polyurethane	Polyurethane
	3.2	Wheel size, front		mm	Ø 85	Ø 85	Ø 85	Ø 85
	3.3	Wheel size, rear		mm	Ø 250	Ø 250	Ø 250	Ø 250
Dimensions	4.2	Height, mast lowered	h_1	mm	2212	2212	2438	2438
	4.3	Free lift	h_2	mm	1743	1743	1943	1943
	4.4	Lift	h_3	mm	3260	3260	3660	3660
	4.5	Height, mast extended	h_4	mm	3867	3867	4293	4293
	4.7	Height of overhead guard	h_6	mm	1980	1980	1980	1980
	4.8	Seat height	h_7	mm	900-980	900-980	900-980	900-980
	4.15	Height, fork lowered	h_{13}	mm	90	90	90	90
	4.19	Overall length	l_1	mm	2194	2235	2240	2281
	4.20	Length to face of forks	l_2	mm	1044	1085	1090	1131
	4.21	Overall width	b_1	mm	1020	1020	1020	1020
	4.22	Fork dimensions	e/l	mm	180/1150	180/1150	180/1150	180/1150
	4.25	Width over forks	b_5	mm	570	570	570	570
	4.31	Ground clearance, with load, below mast	m_1	mm	25	25	25	25
	4.33	Aisle width for pallets 1000x1200 crossways	A_{st}	mm	2659	2699	2691	2731
4.35	Turning radius	W_a	mm	1912	1912	1912	1912	
Performance data	5.1	Travel speed, with/without load		km/h	8,6/9,4	8,6/9,4	8,6/9,4	8,6/9,4
	5.2	Lift speed, with/without load		m/s	-/0,36 ²⁾	-/0,36 ²⁾	0,15/0,25	0,15/0,25
	5.3	Lowering speed, with/without load		m/s	0,46 ^{2)/} 0,35	0,46 ^{2)/} 0,35	0,46/0,40	0,46/0,40
	5.8	Max. gradeability, with/without load ¹⁾		%	8/15	8/15	8/15	8/15
	5.10	Service brake			Hydraulic	Hydraulic	Hydraulic	Hydraulic
	5.11	Parking brake			Mechanical	Mechanical	Mechanical	Mechanical
Electric motor	6.1	Drive motor rating S2 60 min			2,6	2,6	2,6	2,6
	6.2	Lift motor rating at S3 20%		kW	5,0	5,0	5,0	5,0
	6.4	Battery voltage/nominal capacity K_5		V/Ah	24/360-450	24/360-450	24/480-600	24/480-600
	6.5	Battery weight		kg	370-449	370-449	450-530	450-530
	6.6	Energy consumption according to VDI cycle		kWh/h	—	—	2,42	2,42
	Other	8.1	Type of drive control			Stepless	Stepless	Stepless

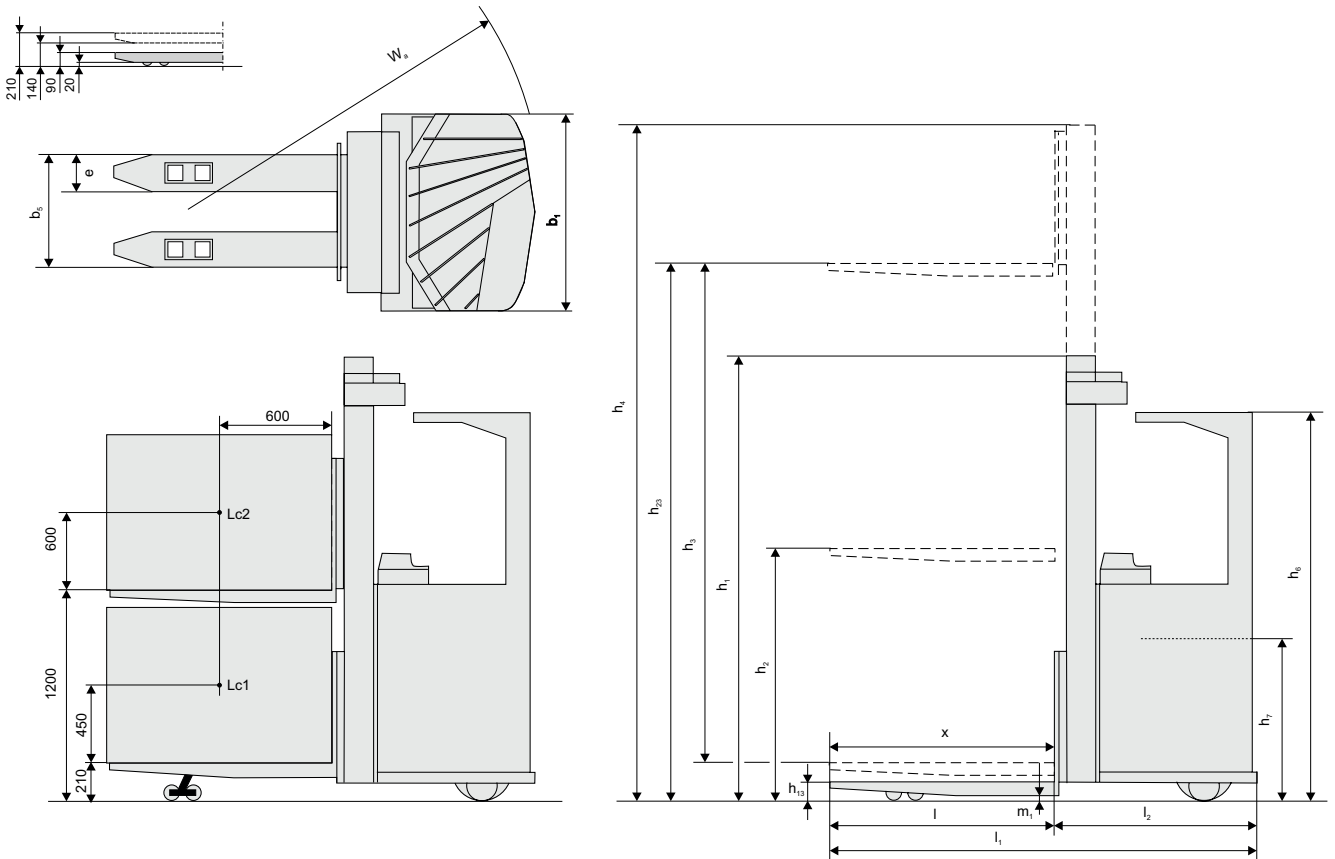
1) Measured according to company standard.

2) Valid for trucks with Triplex Hi-Lo mast.

Mast dimensions

SRE135/SRE135L			Duplex Tele				Duplex Hi-Lo			Triplex Hi-Lo			
h_3	Lift height	mm	2800	3350	3750	4150	2900	3350	3750	4150	4500	4800	5400
h_1	Height, mast lowered	mm	1937	2212	2422	2622	1987	2212	2422	1948	2065	2165	2365
h_2	Free lift	mm	—	—	—	—	1518	1743	1943	1476	1592	1692	1892
h_4	Height, mast extended	mm	3317	3867	4277	4677	3417	3867	4277	4670	5021	5321	5921

SRE160/SRE160L			Duplex Tele				Duplex Hi-Lo			Triplex Hi-Lo				
h_3	Lift height	mm	2900	3350	3750	4150	2900	3350	3750	4400	4800	5400	5700	6300
h_1	Height, mast lowered	mm	2013	2238	2438	2638	2013	2238	2438	2085	2218	2418	2518	2718
h_2	Free lift	mm	—	—	—	—	1518	1743	1943	1465	1598	1798	1898	2098
h_4	Height, mast extended	mm	3443	3893	4293	4693	3443	3893	4293	5068	5468	6068	6368	6968



Standard equipment and option availability

BT Staxio R-series	SRE135/160	SRE135/160L
Truck features		
Automatic parking brake	●	●
Bogie fork wheels	●	●
Clear-view mast	●	●
Clear-view overhead guard	●	●
Double pallet handling	○	○
Electronic speed control	●	●
Elevating support arms	—	●
Load support	○	○
Warning beacon	○	○
Working lights	○	○
Controls and instruments		
Adjustable BT control console	●	●
Automatic deceleration	●	●
E-bar	○	○
Emergency cut-off	●	●
Hour meter	●	●
On-board data terminal mount	○	○
Parking brake	●	●
Pedals as in a car	●	●
Power/electronic steering	●	●
Operator features		
Adjustable seat	●	●
Adjustable steering wheel	●	●
Driver detection system	●	●
Writing table	●	●
Maintenance features		
Easy access for maintenance	●	●
Fault diagnosis facility	●	●
Battery management features		
Battery change facility	○	○
Battery status indicator	○	○
Heavy-duty battery compartments	○	○
Sideways battery change	●	●
Special applications		
Coldstore version	○	○
EEx version (ATEX)	○	○

Battery information

Model	Battery compartment	Min. battery weight	Max. battery weight	Capacity Ah	Voltage	Size LxWxH mm
SRE135/135L160/160L	Long	370	449	375-480	24	264x818x763
	Long	450	640	500-640	24	264x818x763

Rated capacities

SRE135, WOF = 520-685			SRE135L, WOF = 520-570		
Lift height, mm	w/o stabilizers, kg	w stabilizers, kg	Lift height, mm	w/o stabilizers, kg	w stabilizers, kg
2800	1350	1350	2800	1350	1350
2900	1350	1350	2900	1350	1350
3350	1350	1350	3350	1350	1350
3750	1350	1350	3750	1350	1350
4150	1200	1350	4150	1200	1350
4500	1100	1350	4500	1100	1350
4800	1000	1350	4800	1000	1350
5400	800	1300	5400	800	1300

Battery capacity 360–600 Ah
 Battery weight min. 370 kg, max. 530 kg
 Load centre distance 600 mm
 WOF = width over forks

SRE160, WOF = 520-685			SRE160L, WOF = 520-570		
Lift height, mm	w/o stabilizers, kg	w stabilizers, kg	Lift height, mm	w/o stabilizers, kg	w stabilizers, kg
3350	1600	1600	3350	1600	1600
3750	1425	1600	3750	1425	1600
4150	1275	1600	4150	1275	1600
4400	1150	1600	4400	1150	1600
4800	1000	1600	4800	1000	1600
5400	825	1300	5400	825	1300
5700	750	1200	5700	750	1200
6300	600	1000	6300	600	1000

Battery capacity 360–450 Ah
 Battery weight min. 360 kg, max. 449 kg
 Load centre distance 600 mm
 WOF = width over forks

SRE160, WOF = 520-685			SRE160L, WOF = 520-570		
Lift height, mm	w/o stabilizers, kg	w stabilizers, kg	Lift height, mm	w/o stabilizers, kg	w stabilizers, kg
3350	1600	1600	3350	1600	1600
3750	1450	1600	3750	1450	1600
4150	1325	1600	4150	1325	1600
4400	1225	1600	4400	1225	1600
4800	1100	1600	4800	1100	1600
5400	925	1600	5400	925	1600
5700	825	1450	5700	825	1450
6300	650	1150	6300	650	1150

Battery capacity 480–600 Ah
 Battery weight min. 450 kg, max. 530 kg
 Load centre distance 600 mm
 WOF = width over forks

SRE135L			SRE160L			Two pallet handling
Load on forks, (kg) max.	Load on support arms (kg) max.	Load on support arms (kg) min.	Load on forks, (kg) max.	Load on support arms (kg) max.	Load on support arms (kg) min.	
0	1350	0	0	1600	0	
100	1250	100	100	1500	100	
200	1150	200	200	1400	200	
300	1050	300	300	1300	300	
400	950	400	400	1200	400	
500	850	500	500	1100	500	
600	750	600	600	1000	600	
675	675	675	700	900	700	
—	—	—	800	800	800	