

VC series

1,300kg / 1,500kg

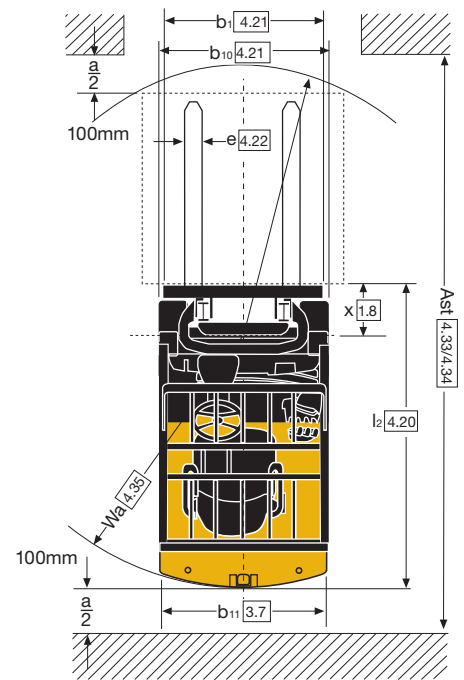
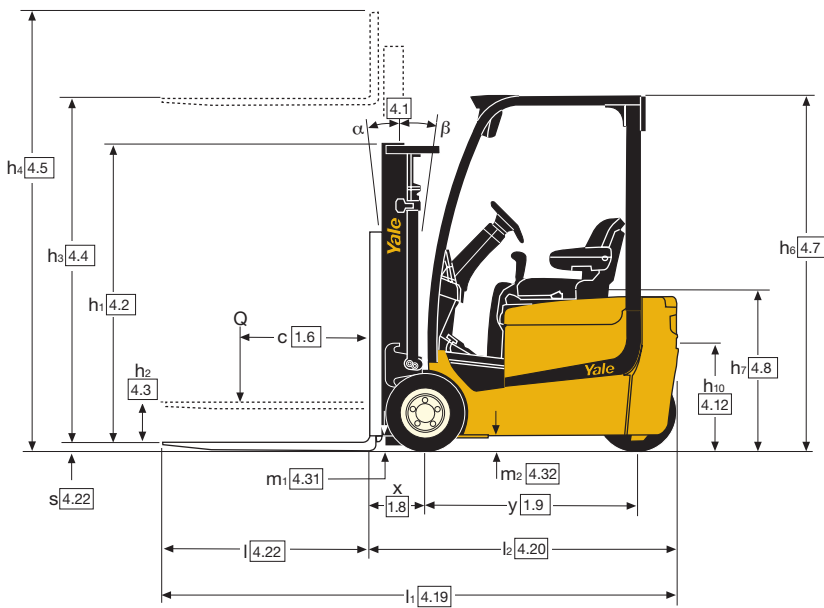
Electric Forklift Trucks



- 24 volt rear-wheel drive with AC motors throughout
- Narrow truck width of 996mm with best in class working aisle width of 3053mm
- Clearview mast offers a combination of excellent load-handling capability and visibility
- Large footspace, low vibration seat and low noise motors for excellent operator comfort

Truck Dimensions

$$Ast = Wa + R + a = Wa + \sqrt{((l6 + x)^2 + (b12/2)^2) + a}$$



ERP 13VC mast details and capacity ratings (kg) - Supercushion tyres

Model						ERP 13 VC						
Tyre size, front						18 x 7-8						
Overall width, front						**996mm Standard / 1056mm Wide						
Mast	h ₁ (mm)	h _{2+s} (mm)	h _{3+s} (mm)	h ₄ (mm)	Tilt		Forks Load centre (kg)			Integral sideshift Load centre (kg)		
					F	B	500	600	700	500	600	700
2 Stage LFL Clear View	1980	140	2860	3368	5	5	1300	1150	1080	1280	1150	1040
	2230	140	3360	3868	5	5	1300	1150	1080	1280	1140	1030
	2580	140	3860	4368	5	5	1300	1150	1070	1270	1130	1030
	2830	140	4360	4868	5	5	1300	1150	1070	1260	1130	1020
2 Stage FFL Hi-Vis	3180	140	4860	5368	5	5	1230	1090	1010	1190	1070	960
	1980	1405	3018	3613	5	5	1300*	1150*	1080*	1260*	1120*	1020*
	2080	1505	3218	3813	5	5	1300*	1150*	1070*	1250*	1120*	1020*
	2330	1805	3718	4313	5	5	1300*	1150*	1070*	1250*	1120*	1010*
3 Stage FFL Clear View	2680	2105	4338	4913	5	5	1300*	1150*	1060*	1230*	1110*	1000*
	1980	1472	4300	4808	5	5	1300	1150	1060	1240	1110	1010
	2080	1572	4600	5108	5	5	1270	1120	1040	1220	1090	990
	2180	1672	4900	5408	5	5	1220	1080	1000	1160	1040	940
	2330	1822	5200**	5708	5	5	1170*	1030*	950*	1110*	990*	900*
2430	1942	5500**	6008	5	5	1110*	980*	900*	1050*	940*	850*	

ERP 15VC mast details and capacity ratings (kg) - Supercushion tyres

Model						ERP 15 VC						
Tyre size, front						18 x 7-8						
Overall width, front						**996mm Standard / 1056mm Wide						
Mast	h ₁ (mm)	h _{2+s} (mm)	h _{3+s} (mm)	h ₄ (mm)	Tilt		Forks Load centre (kg)			Integral sideshift Load centre (kg)		
					F	B	500	600	700	500	600	700
2 Stage LFL Clear View	1980	140	2860	3368	5	5	1500	1320	1250	1480	1320	1200
	2230	140	3360	3868	5	5	1500	1320	1250	1480	1320	1200
	2580	140	3860	4368	5	5	1500	1320	1240	1470	1310	1190
	2830	140	4360	4868	5	5	1500	1320	1230	1460	1310	1180
2 Stage FFL Hi-Vis	3180	140	4860	5368	5	5	1430	1250	1170	1390	1240	1120
	1980	1405	3018	3613	5	5	1500*	1320*	1250*	1460*	1300*	1180*
	2080	1505	3218	3813	5	5	1500*	1320*	1240*	1450*	1300*	1180*
	2330	1805	3718	4313	5	5	1500*	1320*	1240*	1450*	1300*	1170*
3 Stage FFL Clear View	2680	2105	4338	4913	5	5	1500*	1320*	1230*	1440*	1290*	1170*
	1980	1472	4300	4808	5	5	1500	1320	1230	1440	1290	1170
	2080	1572	4600	5108	5	5	1470	1290	1210	1420	1270	1150
	2180	1672	4900	5408	5	5	1400	1250	1160	1360	1220	1100
	2330	1822	5200**	5708	5	5	1360*	1200*	1110*	1300*	1170*	1060*
2430	1942	5500**	6008	5	5	1210*	1140*	1060*	1210*	1110*	1010*	

* Wide tread required. Standard tread possible, contact your lift truck dealer.

** Tilt speed reduced to 1° per

second by mechanical tilt speed restrictors for mast heights 5000mm and above.

Note: Alternative capacities available

with pneumatic or cushion tyres. Integral sideshift is 906.2mm wide or 939mm with load backrest.

All values are nominal values and

they are subject to tolerances. For further information, please contact the manufacturer. Yale products might be subject to change without

notice. Lift trucks illustrated may feature optional equipment. Values may vary with alternative configurations.

VDI 2198 – General Specifications

Distinguishing mark	1.1	Manufacturer (abbreviation)		Yale	Yale	
	1.2	Manufacturer's type designation		ERP 13VC	ERP 15VC	
	1.3	Drive: electric (battery or mains), diesel, petrol, fuel gas		Electric (Battery)	Electric (Battery)	
	1.4	Operator type: hand, pedestrian, standing, seated, order-picker		Seated	Seated	
	1.5	Rated capacity/rated load	Q (t)	1.3	1.5	
	1.6	Load centre distance	c (mm)	500	500	
	1.8	Load distance, centre of drive axle to fork	x (mm)	326	326	
	1.9	Wheelbase	y (mm)	1168	1222	
	Weights	2.1	Service weight	kg	2700	2905
2.2		Axle loading, laden front/rear ●	kg	3319 / 631	3755 / 649	
2.3		Axle loading, unladen front/rear ●	kg	1184 / 1516	1240 / 1665	
Tyres/chassis	3.1	Tyres: L = pneumatic, V = cushion, SE = superelastic		SE	SE	
	3.2	Tyre size, front		18 x 7-8	18 x 7-8	
	3.3	Tyre size, rear		18 x 7-8	18 x 7-8	
	3.5	Wheels, number front/rear (x = driven wheels)		2 / 1X	2 / 1X	
	3.6	Tread, front	b ₁₀ (mm)	836 / 896	836 / 896	
	3.7	Tread, rear	b ₁₁ (mm)	-	-	
	Dimensions	4.1	Tilt of mast/fork carriage forward/backward	α / β (°)	5 / 5	5 / 5
4.2		Height, mast lowered	h ₁ (mm)	2230	2230	
4.3		Free lift ▼	h ₂ (mm)	100	100	
4.4		Lift ▼	h ₃ (mm)	3320	3320	
4.5		Height, mast extended +	h ₄ (mm)	3868	3868	
4.7		Height of overhead guard ○	h ₆ (mm)	2060	2060	
4.8		Seat height relating to SIP/stand height ✕	h ₇ (mm)	926	926	
4.12		Coupling height	h ₁₀ (mm)	540	540	
4.19		Overall length ●	l ₁ (mm)	2724	2778	
4.20		Length to face of forks ●	l ₂ (mm)	1724	1778	
4.21		Overall width	b ₁ /b ₂ (mm)	996 / 1056	996 / 1056	
4.22		Fork dimensions ISO2331	s/e/l (mm)	40 / 80 / 1000	40 / 80 / 1000	
4.23		Fork carriage ISO 2328, class/type A, B		IIA	IIA	
4.24		Fork carriage width ▶	b ₃ (mm)	907	907	
4.31		Ground clearance, laden, below mast	m ₁ (mm)	88	88	
4.32		Ground clearance, centre of wheelbase	m ₂ (mm)	85	85	
Performance data		5.1	Travel speed, laden/unladen	km/h	12.0 / 12.5	12.0 / 12.5
		5.2	Lift speed, laden/unladen	m/s	0.30 / 0.51	0.30 / 0.51
	5.3	Lowering speed, laden/unladen	m/s	0.50 / 0.46	0.50 / 0.46	
	5.5	Drawbar pull, laden/unladen	N	951 / 975	942 / 970	
	5.6	Max. drawbar pull, laden/unladen	N	6246 / 6221	6212 / 6242	
	5.7	Gradeability, laden/unladen	%	8.2 / 12.1	7.3 / 11.2	
5.8	Max. gradeability, laden/unladen	%	16.3 / 24.3	14.5 / 22.4		
5.9	Acceleration time, laden/unladen ⚙	s	5.6 / 4.7	5.7 / 4.9		
5.10	Service brake		Hydraulic	Hydraulic		
Electric-engine	6.1	Drive motor rating S2 60 min	kW	4.7	4.7	
	6.2	Lift motor rating at S3 15%	kW	6.0	6.0	
	6.3	Battery according to DIN 43531/35/36 A, B, C, no		DIN 43535A	DIN 43535A	
	6.4	Battery voltage/nominal capacity K5	(V)/(Ah)	24 / 735 / 875	24 / 840 / 1000	
	6.5	Battery weight	kg	570/ 630	642 / 710	
	6.6	Energy consumption according to VDI cycle * †	kWh/h @Nr of Cycles	3.9	4.0	
Addition data	8.1	Type of drive unit		AC	AC	
	10.1	Operating pressure for attachments	bar	155	155	
	10.2	Oil volume for attachments ❖	l/min	20	20	
	10.7	Sound pressure level at the driver's seat ★	dB(A)	59	59	
	10.8	Towing coupling, type DIN		Pin	Pin	
	★	LPaz measured according to the test cycles and based on the weighting values contained in EN12053.				
	▼	Bottom of forks.				
	✕	Full suspension seat.				
▶	Add 32mm with load backrest. Integral sideshift is 906mm wide or 939mm with load backrest.					
+	Without load backrest.					
○	h ₆ subject to +/- 5mm tolerance.					
●	Variable					
●	With mast vertical					
■	2 Stage and 3 Stage mast, deduct 3mm for FFL mast.					
□	2 Stage and 3 Stage mast, deduct 4mm for FFL mast					
⚙	HiP performance setting.					
* †	eLo performance setting.					
†	45 cycles					
Spec sheet truck based on :-	3360mm 2 stage LFL mast with standard carriage, 1000mm forks and load backrest, manual hydraulics, DIN battery configuration supercushion drive and steer tyres					
All values are nominal values and they are subject to tolerances. For further information, please contact the manufacturer.						
Yale products might be subject to change without notice.						
Lift trucks illustrated may feature optional equipment.						
Values may vary with alternative configurations.						