



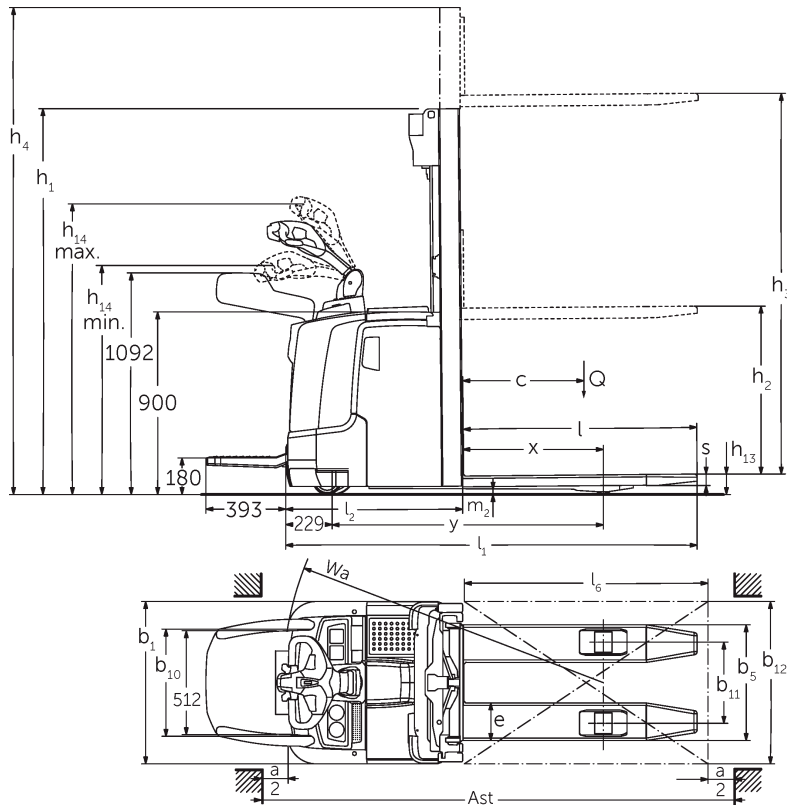
## **Electric pedestrian controlled truck** **ERC 212-216 / 212z-216z / 212b-216b**

**lift height: 2400-6000 mm / load capacity: 1200-1600 kg**

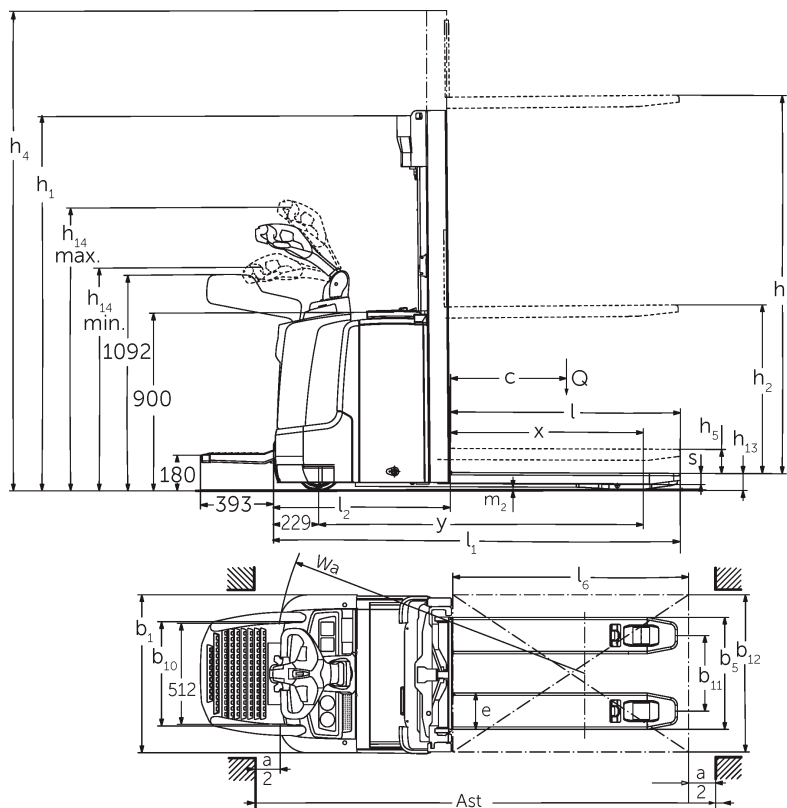
The efficient and versatile electric stackers ERC are particularly well suited for the economic transport of goods over medium distances as well as for stacking and retrieval operations on higher racking levels. Fitted with a foldable stand-on platform, an optional support arm lift or as wide-tread version, they impress with great flexibility. Their increased ground clearance lets them safely travel over ramps or uneven grounds. On request, the additional support arm allows for double-deck transport of two pallets

at once, adding to the efficiency of your goods turnover. As a wide-tread variant, the ERC can also handle closed and perimeter-based Euro pallets. The strong and particularly precise lift motor allows for very gentle lifting and lowering of cargo in heights up to 6 meters. Furthermore, the four-wheel concept and optional assistance systems such as the overload warning system operationCONTROL ensure safe and efficient operations.

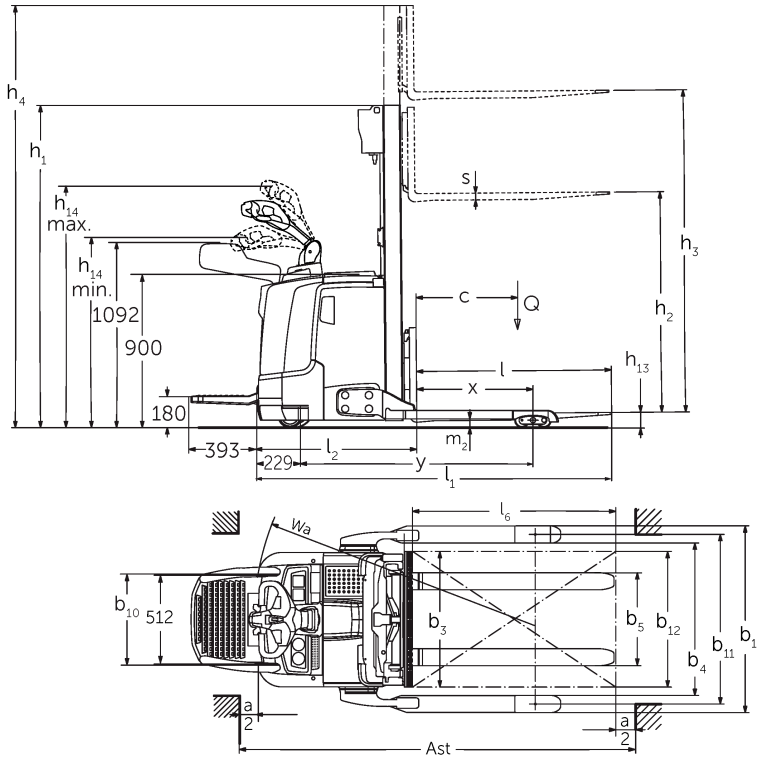
# ERC 212-216 / 212z-216z / 212b-216b



Dimensional drawing ERC 2



Dimensional drawing ERC 2z



Dimensional drawing ERC 2b

# ERC 212-216 / 212z-216z / 212b-216b

Masts ERC 214/212 / 212z/214z/216 / 216z/212b/214b/216b																			
	Stroke h3 (mm)	Height mast retracted h1 (mm)						Free lift h2 (mm)						Height mast extended h4 (mm)					
		ERC 212 / 212z	ERC 214 / 214z	ERC 216 / 216z	ERC 212b	ERC 214b	ERC 216b	ERC 212/ 212z	ERC 214 / 214z	ERC 216 / 216z	ERC 212b	ERC 214b	ERC 216b	ERC 212 / 212z	ERC 214 / 214z	ERC 216 / 216z	ERC 212b	ERC 214b	ERC 216b
double mast ZT	2.400	-	-	1.750	-	-	1.750	-	-	100	-	-	100	-	-	2.925	-	-	2.970
	2.500	1.750	1.750	-	1.750	1.750	-	100	100	-	100	100	-	2.975	2.975	-	3.070	3.070	-
	2.600	-	-	1.850	-	-	1.850	-	-	100	-	-	100	-	-	3.125	-	-	3.170
	2.700	1.850	1.850	-	1.850	1.850	-	100	100	-	100	100	-	3.175	3.175	-	3.270	3.270	-
	2.800	-	-	1.950	-	-	1.950	-	-	100	-	-	100	-	-	3.325	-	-	3.370
	2.900	1.950	1.950	-	1.950	1.950	-	100	100	-	100	100	-	3.375	3.375	-	3.470	3.470	-
	3.100	-	-	2.100	-	-	2.100	-	-	100	-	-	100	-	-	3.625	-	-	3.670
	3.200	2.100	2.100	-	2.100	2.100	-	100	100	-	100	100	-	3.675	3.675	-	3.770	3.770	-
	3.500	-	-	2.300	-	-	2.300	-	-	100	-	-	100	-	-	4.025	-	-	4.070
	3.600	2.300	2.300	-	2.300	2.300	-	100	100	-	100	100	-	4.075	4.075	-	4.170	4.170	-
	3.800	-	-	2.450	-	-	2.450	-	-	100	-	-	100	-	-	4.325	-	-	4.370
	4.000	-	-	2.550	-	-	2.550	-	-	100	-	-	100	-	-	4.525	-	-	4.570
	4.100	2.550	2.550	-	-	2.550	-	100	100	-	-	100	-	4.575	4.575	-	-	4.670	-
	4.200	-	-	2.650	-	-	2.650	-	-	100	-	-	100	-	-	4.725	-	-	4.770
	4.300	2.650	2.650	-	-	2.650	-	100	100	-	-	100	-	4.775	4.775	-	-	4.870	-
	4.400	-	-	2.750	-	-	2.750	-	-	100	-	-	100	-	-	4.925	-	-	4.970
4.500	-	2.750	-	-	2.750	-	-	100	-	-	100	-	-	4.975	-	-	5.070	-	
double mast ZZ	2.400	-	-	1.700	-	-	1.700	-	-	1.175	-	-	1.130	-	-	2.925	-	-	2.970
	2.500	1.700	1.700	-	1.700	1.700	-	1.225	1.225	-	1.225	1.130	-	2.975	2.975	-	3.070	3.070	-
	2.800	-	-	1.900	-	-	1.900	-	-	1.375	-	-	1.330	-	-	3.325	-	-	3.370
	2.900	1.900	1.900	-	1.900	1.900	-	1.425	1.425	-	1.425	1.330	-	3.375	3.375	-	3.470	3.470	-
	3.100	-	-	2.050	-	-	2.050	-	-	1.525	-	-	1.480	-	-	3.625	-	-	3.670
	3.200	2.050	2.050	-	2.050	2.050	-	1.575	1.575	-	1.575	1.480	-	3.675	3.675	-	3.770	3.770	-
	3.500	-	-	2.250	-	-	2.250	-	-	1.725	-	-	1.680	-	-	4.025	-	-	4.070
	3.600	2.250	2.250	-	2.250	2.250	-	1.775	1.775	-	1.775	1.680	-	4.075	4.075	-	4.075	4.170	-
	4.000	-	-	2.500	-	-	2.500	-	-	1.975	-	-	1.930	-	-	4.525	-	-	4.570
	4.100	2.500	2.500	-	-	2.500	-	2.025	2.025	-	-	1.930	-	4.575	4.575	-	-	4.670	-
	4.200	-	-	2.600	-	-	2.600	-	-	2.075	-	-	2.030	-	-	4.725	-	-	4.770
	4.300	2.600	2.600	-	-	2.600	-	2.125	2.125	-	-	2.030	-	4.775	4.775	-	-	4.870	-
triple mast DZ	3.990	-	-	1.830	-	-	1.830	-	-	1.298	-	-	1.260	-	-	4.522	-	-	4.560
	4.090	-	1.830	-	-	1.830	-	-	1.341	-	-	1.260	-	-	4.579	-	-	4.660	
	4.200	-	-	1.900	-	-	1.900	-	-	1.368	-	-	1.330	-	-	4.732	-	-	4.770
	4.300	1.915	1.900	-	1.915	1.900	-	1.408	1.411	-	1.430	1.330	-	4.807	4.789	-	4.870	4.870	-
	4.590	-	-	2.030	-	-	2.030	-	-	1.498	-	-	1.460	-	-	5.122	-	-	5.160
	4.690	-	2.030	-	-	2.030	-	-	1.541	-	-	1.460	-	-	5.179	-	-	5.260	-
	4.700	2.050	-	-	2.050	-	-	1.543	-	-	1.565	-	-	5.212	-	-	5.275	-	-
	5.250	-	-	2.250	-	-	2.250	-	-	1.718	-	-	1.680	-	-	5.782	-	-	5.820
	5.350	-	2.250	-	-	2.250	-	-	1.761	-	-	1.680	-	-	5.839	-	-	5.920	-
6.000	-	2.500	2.500	-	2.500	2.500	-	1.968	1.968	-	1.930	1.930	-	6.532	6.532	-	6.570	6.570	

## VDI-Table

Mark	1.1	Manufacturer (short name)	Jungheinrich										
	1.2	Type symbol of the manufacturer	ERC 212	ERC 214	ERC 216	ERC 212z	ERC 214z	ERC 216z	ERC 212b	ERC 214b	ERC 216b		
	1.3	Drive	electric										
	1.4	Service	Go										
	1.5	Rated capacity / load	Q kg	1.200	1.400	1.600	1.200	1.400	1.600	1.200	1.400	1.600	
	1.6	Load center	c mm	600									
	1.8	Load distance	x mm	688	667		910			688	668		
	1.9	Wheelbase	y mm	1.264		1.570	1.591			1.339	1.411		
	Weights	2.1.1	Dead weight (including battery)	kg	1.130	1.200	1.220	1.260	1.320			1.170	1.215
2.2		Axle load with load front / rear	kg / kg	890 / 1.440	960 / 1.640	980 / 1.840	1.190 / 1.270	1.260 / 1.460	1.300 / 1.620	900 / 1.470	920 / 1.730	920 / 1.930	
2.3		Axle load without load front / rear	kg / kg	830 / 300	880 / 320	890 / 330	950 / 310	990 / 330			830 / 340	850 / 400	
Wheels / Suspension	3.1	Tires	Vulkollan										
	3.2	Tire size, front	Ø 230 x 77										
	3.3	Tire size, rear	Ø 85 x 110 / 85			Ø 85 x 95 / 75			Ø 85 x 75				
	3.4	Additional wheels	Ø 140 x 54			Ø 180 x 75			Ø 140 x 54				
	3.5	Wheels, number front / rear	1										
	3.6	Gauge, in front	mm	515									
	3.7	Gauge, rear	mm	400			385			1.000			
	3.7.1	2nd track, rear	mm							1.170			
3.7.2	3rd track, rear	mm							1.370				
Basic dimensions	4.2	Height mast retracted	h <sub>1</sub> mm	1.950									
	4.3	Free lift	h <sub>2</sub> mm	100									
	4.4	Stroke	h <sub>3</sub> mm	2.900	2.800	2.900	2.800	2.900	2.800	2.900	2.800		
	4.5	Height mast extended	h <sub>4</sub> mm	3.375	3.325	3.375	3.325	3.470	3.370				
	4.9	Height of drawbar handle in driving position min./max.	mm / mm	1.170 / 1.390									
	4.15	Height lowered	mm	90									
	4.19	Overall length	mm	1.955	1.976	2.039	2.060	2.030	2.123				
	4.20	Length including fork back	mm	805	826	889	910	880	973				
	4.21	Overall width	mm	800						1.100			
	4.22	Fork dimensions DIN ISO 2331	mm / mm / mm	56 / 185 / 1.150						40 / 100 / 1.150			
	4.24	Fork carriage width	mm							800			
	4.25	Width across forks (dimension 1), WaF	mm	570									
	4.32	Ground clearance center wheelbase	mm	28			18			50			
	4.34	Working width for pallet 800 x 1200 along	mm	2.220	2.241	2.302	2.323	2.302	2.372				
	4.34.1	Working width at pallet 1000 x 1200 cross	mm	2.170	2.191	2.252	2.273	2.252	2.322				
4.35	Turning radius	mm	1.508			1.812	1.833	1.570	1.640				
Performance data	5.1	Driving speed with / without load	km/h / km/h	9 / 11									
	5.2	Lifting speed with / without load	m/s / m/s	0.2 / 0.4	0.16 / 0.30	0.15 / 0.30	0.20 / 0.40	0.16 / 0.30	0.15 / 0.30	0.20 / 0.40	0.16 / 0.30	0.15 / 0.30	
	5.3	Lowering speed with / without load	m/s / m/s	0.45 / 0.35									
	5.7	Gradeability with / without load	% / %										
	5.8	Max. Gradeability with / without load	% / %	10 / 20									
	5.10	Service brake		A generator									
E-Motor/Electrics	6.1	Traction motor, power S2 60 min	kW	3.2									
	6.2	Lifting motor, power at S3	kW	3									
	6.3	Battery according to DIN 43531/35/36		B 43535									
	6.4	Battery voltage / nominal capacity	V / Ah	24 / 300			24 / 375			24 / 300	24 / 375		
	6.5	Battery weight	kg	238			294			238	273		
	6.6.1	Energy consumption according to EN cycle	kWh/h	0.64	0.76	0.83	0.64	0.76	0.83	0.64	0.74	0.83	
	6.6.2	CO2 equivalent according to EN16796	0.30 kg/h	0.40 kg/h		0.30 kg/h	0.40 kg/h			0.30 kg/h	0.40 kg/h		
	6.7	Throughput	t/h	57	65	73	57	65	73	57	65	73	
6.8	Energy consumption at max. Throughput	kWh/h	1.65	1.64	1.65	1.64	1.65	1.64	1.65	1.64	1.65		
Miscellaneous	8.1	Design of the traction drive		AC speed control									
	10.7	Sound pressure level according to EN12053, driver's tube	dB (A)	64									

ERC 212/214/216 data of battery compartment M-VBE; hoist frame ZT2800/2900; equipment: drivePLUS

- 1.8: For DZ-mast: x - 42 mm
- 3.3: Tandem: Ø85 x 85 mm
- 4.19: For DZ-mast: l1 + 42 mm; for battery compartment L-VBE or L-SBE: l1 + 72 mm
- 4.20: For DZ-mast: l2 + 42 mm; for battery compartment L-VBE or L-SBE: l2 + 72 mm
- 4.33: Diagonal as per VDI: Ast + 215 mm; for battery compartment L-VBE or L-SBE: Ast + 72 mm
- 4.34: Diagonal as per VDI: Ast + 138 mm; for battery compartment L-VBE or L-SBE: Ast + 72 mm
- 5.1: For equipment Efficiency without restraint system: 6.0/6.0 km/h; with restraint system: 7.0/7.0 km/h
- 5.8: For equipment Efficiency: ERC 212: 10/16 %; ERC 214: 09/16 %; ERC 216: 08/16 %
- 6.6: For equipment Efficiency: ERC 212: 0.63 kWh/h; ERC 214: 0.81 kWh/h; ERC 216: 0.86 kWh/h
- 6.7: For equipment Efficiency: ERC 212: 56 t/h; ERC 214: 64 t/h; ERC 216: 71 t/h
- 6.8: For equipment Efficiency: ERC 212: 1.63 kWh/h; ERC 214: 1.65 kWh/h; ERC 216: 1.67 kWh/h

ERC 212z/214z/216z data of battery compartment LX-SBE; hoist frame ZT2800/2900; equipment: drivePLUS; lifted wheel arms

- 1.2: The vehicle dimensions are the same for every size of battery compartment
- 1.8: For DZ-mast: x - 42 mm; For lowered wheel arms: x + 54 mm
- 1.9: For lowered wheel arms: x + 54 mm
- 3.3: Tandem: Ø85 x 85 mm
- 4.19: For DZ-mast: l1 + 42 mm; (for every battery compartment the same)
- 4.20: For DZ-mast: l2 + 42 mm; (for every battery compartment the same)
- 4.33: Diagonal as per VDI: Ast + 368 mm; (for every battery compartment the same)
- 4.34: Diagonal as per VDI: Ast + 204 mm; (for every battery compartment the same)
- 5.1: For equipment Efficiency without restraint system: 6.0/6.0 km/h; with restraint system: 7.0/7.0 km/h
- 5.8: For equipment Efficiency: ERC 212z: 10/16 %; ERC 214z: 09/16 %; ERC 216z: 08/16 %
- 6.6: For equipment Efficiency: ERC 212z: 0.63 kWh/h; ERC 214z: 0.81 kWh/h; ERC 216z: 0.86 kWh/h
- 6.7: For equipment Efficiency: ERC 212z: 56 t/h; ERC 214z: 64 t/h; ERC 216z: 71 t/h
- 6.8: For equipment Efficiency: ERC 212z: 1.63 kWh/h; ERC 214z: 1.65 kWh/h; ERC 216z: 1.67 kWh/h

ERC 212b/214b/216b data of battery compartment M-SBE (ERC 212b) or LX-SBE (ERC 214b/216b); hoist frame ZT2800/2900; equipment: drivePLUS

- 1.8: For DZ-mast: x - 3 mm
- 1.9: For lowered wheel arms: x + 54 mm
- 4.19: For DZ-mast: l1 + 3 mm
- 4.20: For DZ-mast: l2 + 3 mm
- 4.21: 1100 mm / 1270 mm / 1470 mm (gerastert nach Spurbreite)
- 4.24: Optional: 975 mm available
- 4.33: Diagonal as per VDI: Ast + 203 mm / + 203 mm / + 259 mm (sorted by track width)
- 4.34: Diagonal as per VDI: Ast + 133 mm / + 133 mm / + 209 mm (sorted by track width)
- 5.1: For equipment Efficiency without restraint system: 6.0/6.0 km/h; with restraint system: 7.0/7.0 km/h
- 5.8: For equipment Efficiency: ERC 212b: 10/16 %; ERC 214b: 09/16 %; ERC 216b: 08/16 %
- 6.6: For equipment Efficiency: ERC 212b: 0.63 kWh/h; ERC 214b: 0.81 kWh/h; ERC 216b: 0.86 kWh/h
- 6.7: For equipment Efficiency: ERC 212b: 56 t/h; ERC 214b: 64 t/h; ERC 216b: 71 t/h
- 6.8: For equipment Efficiency: ERC 212b: 1.63 kWh/h; ERC 214b: 1.65 kWh/h; ERC 216b: 1.67 kWh/h