

A black and white photograph of a warehouse interior. A man in a dark hoodie and jeans is operating a mast reach stacker. The stacker is positioned in an aisle between high industrial shelving units filled with boxes. The lighting is dramatic, with strong highlights and deep shadows.

**WALKIE OR RIDE-ON**

MAST REACH STACKER

PS13/15RM **PLUS**

**NOBLELIFT**



# PS13/15RM PLUS

The Most Versatile Stacker

## INTRODUCTION

Compact structure with excellent forward function, vehicles in a narrow space can be used;

High-performance AC drive system, combined with electric steering unit to enhance whole vehicle's performance and efficiency; With high-quality components, excellent cost performance.

If the vehicle is used in warehousing long distance transporting, optionally foldable pedal is the best choice.

## ADVANTANCES

- Straddle leg design
- Forward function
- AC drive system
- Operator' Working will be easier with Electric Steering technology
- The large battery capacity extends long time operation needs
- Optional sideshift function
- Optional side-pull battery
- Optional pedal, protective arm, ergonomically foldable pedal




**Faster + High efficiency with German motor!**  
**Upgraded speed of 8km/h for Ride-on Mode**

**8km/h**



 Optional special configuration for cold storage

 Optional lithium battery configuration



### Fork tilting

Tilting fork makes the pallet stacking work easier and safer, and separate the fork and pallet easier as well.

### Reach mast

In comparison with common counterbalance heavy stacker, PS13/15RM PLUS not only have same stability, but also have flexible operation with reach mast in small space.

### Optional sideshift function

The optional sideshift function allows the forks to move, especially for small space, cargo can be accurately placed on the shelf without moving the vehicle.



Optional foot pedal  
Arm protection



Capacity  
1300/1500Kg



Convenient  
Maintenance



High  
Efficiency



High capacity  
Battery



Fork  
Tilting



AC drive  
System

## The noblelift product range

### A. Optional battery side pull

Battery replacement from side design largely reduces the maintenance time for long time and multi-class works.

### B. Electric steering

The electric steering makes the operating effortless. Maneuvering in narrow spaces becomes with the electric steering easiest.

### C. High capacity battery

The large battery capacity extends long time operation needs.

### D. AC drive system

AC drive system increases performance, reducing maintenance costs, improving work efficiency.



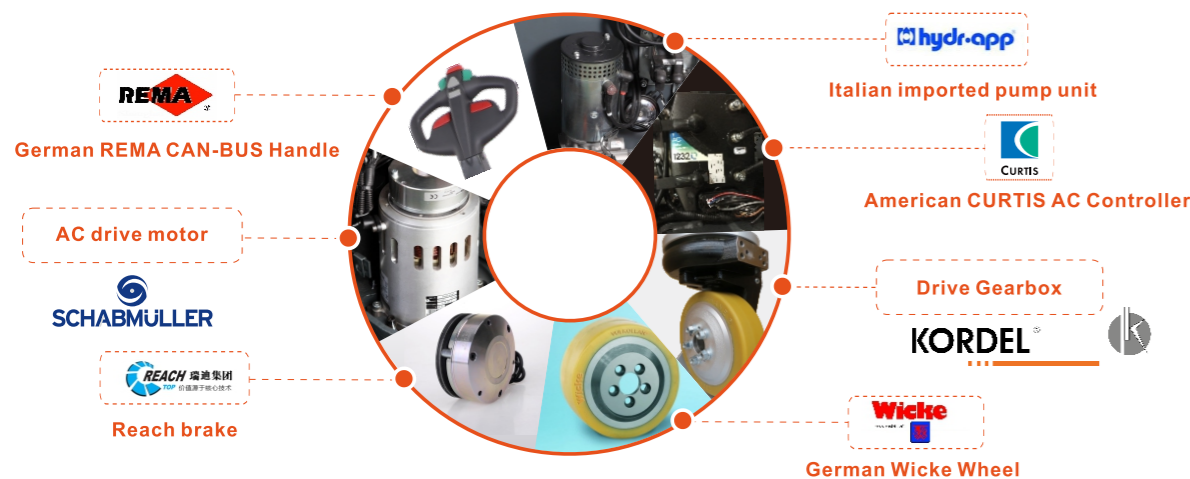


## Mast table PS13/15RMPLUS

Designation	Lowered mast height (mm)	Free lift height (mm)	Lift height (mm)	Extended mast height (mm)
<b>Single-stage mast</b>				
	1796	1200	1200	2085
	2196	1600	1600	2485
	2396	1800	1800	2685
<b>Two-stage mast</b>				
	1796	—	2400	3285
	2096	—	3000	3885
<b>Three-stage mast FFL</b>				
	1796	1200	3600	4485
	2096	1500	4500	5295
	2196	1600	4800	5685

## PS13/15RM PLUS

### Top brand key componnets



**Straddle Leg**  
Direct entry of 800x1220mm pallet with upgraded design of the straddle 880mm inner width.



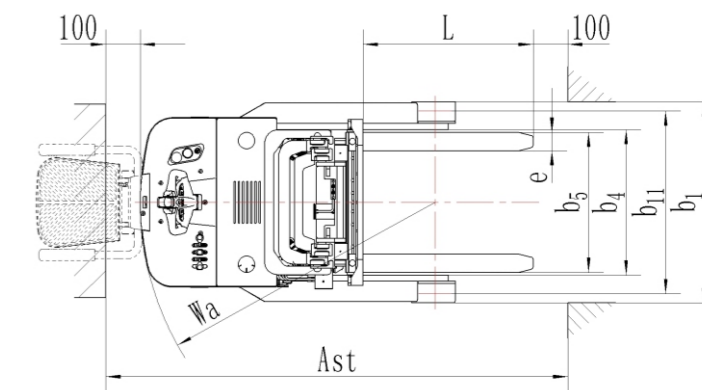
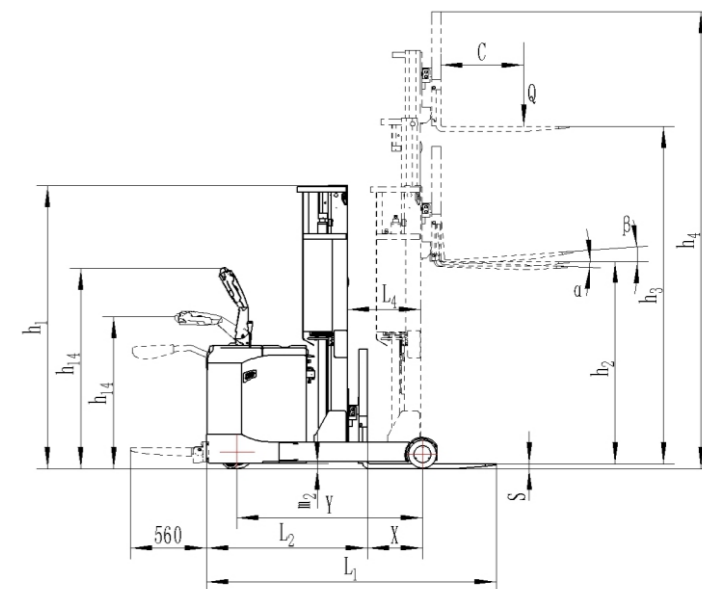
880mm



## Type sheet for industrial truck acc. to VDI 2198

Distinguishing mark		NOBLELIFT						
1.1	Manufacturer	NOBLELIFT						
1.2	Manufacturer's type designation	PS13RM16PLUS	PS13RM30PLUS	PS13RM48PLUS	PS15RM16PLUS	PS15RM30PLUS	PS15RM48PLUS	
1.3	Power (battery, diesel, petrol gas, manual)	Battery			Battery			
1.4	Operator type	Pedestrian			Pedestrian			
1.5	Load Capacity / rated load	Q(kg)	1300		1500			
1.6	Load centre distance	C(mm)	600		600			
1.8	Load distance, centre of drive axle to fork	X(mm)	415		485			
1.9	Wheelbase	Y(mm)	1350		1500			
Weight								
2.1	Service weight	kg	1750	1900	2200	1800	1950	2250
Tires, Chassis								
3.1	Tires		Polyurethane (PU)		Polyurethane (PU)			
3.2	Tire size, front	mm	φ250X82		φ250X82			
3.3	Tire size, rear	mm	φ210X85		φ230X100			
3.4	Steering wheel size	mm	φ124X60		φ124X60			
3.5	Wheels, number front/rear(x=driven wheels)		1X+2/2		1X+2/2			
3.6	Tread, front	b10(mm)	680		680			
3.7	Tread, rear	b11(mm)	1085		1085			
Dimensions								
4.1	Tilt of mast/fork carriage forward/backward	α / β (°)	2/4		2/4			
4.2	Lowered mast height	h1(mm)	2196	2096	2196	2196	2096	2196
4.3	Free Lift height	h2(mm)	1600	—	1600	1600	—	1600
4.4	Lift	h3(mm)	1600	3000	4800	1600	3000	4800
4.5	Extended mast height	h4(mm)	2485	3885	5685	2485	3885	5685
4.9	Height of tiller in drive position min./ max.	h14(mm)	1030/1415		1030/1415			
4.15	Height, lowered	h15(mm)	50		50			
4.19	Overall length	l1(mm)	2080		2160			
4.20	Length to face of forks	l2(mm)	1160		1240			
4.21	Overall width	b2(mm)	1180		1184			
4.22	Fork dimensions	s/e/l(mm)	35/100/920(1070)		35/100/920(1070)			
4.25	Distance between fork- arms	b5(mm)	220-760		220-760			
4.26	Distance between supporting arm and load side	b4(mm)	880		880			
4.28	Reach distance	l4(mm)	545		630			
4.32	Ground clearance, centre of wheelbase	m2(mm)	40		40			
4.33	Aisle width for pallets 1000X1200 crossways	Ast1(mm)	2600°		2710°			
4.34	Aisle width for pallets 800X1200 lengthways	Ast2(mm)	2650°		2740°			
4.35	Turning radius	Wa(mm)	1570°		1720°			
Performance data								
5.1	Travel speed, laden/ unladen	km/h	5.5/6.0-8.0/8.0		5.5/6.0-8.0/8.0			
5.2	Lift speed, laden/ unladen	m/s	0.085/0.122		0.11/0.165			
5.3	Lowering speed, laden/ unladen	m/s	0.125/0.08		0.11/0.10			
5.8	Max. gradeability, laden/ unladen	%	5/8		5/8			
5.10	Service brake		Electromagnetic		Electromagnetic			
Electric- motor								
6.1	Drive motor rating	kW	2.6		2.6			
6.2	Lift motor rating	kW	2.2		3.0			
6.3	Battery acc. to DIN 43531/ 35/ 36 A, B, C, no		3PzS		4PzS			
6.4	Battery voltage, nominal capacity	V/Ah	24 / 270		24 / 400			
Additional data								
8.1	Type of drive control		AC-Speed Control		AC-Speed Control			
8.4	Sound level at driver's ear acc. to EN 12053	dB(A)	67		67			

1) with foldable platform the following dimensions increase: l1, l2 =+100, Wa/Ast=+100.





# NOBLELIFT

NOBLELIFT EQUIPMENT



## NOBLELIFT EQUIPMENT JOINT STOCK CO., LTD

### NOBLELIFT CHINA

Add:528 Changzhou Road, Taihu Sub-district,  
Changxing, Zhejiang 313100 China  
Tel:86-572-6210817 6210311  
Fax:86-572-6210777 6128612  
Email:info@nobelift.com  
Http:www.nobelift.com www.nobelift.cn

### NOBLELIFT NORTH AMERICA CORP

Add:2461 S Wolf Road Des Plaines,  
IL 60018  
Tel:001-847-595-7100  
Fax:001-847-595-7200  
Email:sales@nobelift.com  
Http:www.nobelift.us

### NOBLELIFT RUSSIA

ООО «Ноблелифт Рус»  
194292, Санкт-Петербург  
Домостроительная ул. 4А офис 301  
Бизнес-центр «Парнас»  
Тел.: +7-800-700-28-97  
Email: sales@nobelift.com.ru  
Http: www.nobelift.com.ru

### NOBLELIFT EUROPE GMBH

Add:Borsigstrasse 9-93082 Barbing  
Germany  
Tel:+49 9401 607930  
Fax:+49 9401 6079329  
Email:mail@nobelifteurope.com  
Http:www.nobelifteurope.com

### NOBLELIFT THAILAND CO., LTD

Add: 888 Moo21, Tambol Bangpleeyai,  
Amphur Bangplee,  
Samut Prakarn 10540, Thailand  
Tel: +66 (0)21305131  
Email: salesthailand@nobelift.com  
Http: www.nobelift.com

## NOBLELIFT



Official website



Our Wechat